

P3800 Series

High Pressure Hydraulic Deadweight Tester

Users Manual

LIMITED WARRANTY AND LIMITATION OF LIABILITY

Each Fluke product is warranted to be free from defects in material and workmanship under normal use and service. The warranty period is one year and begins on the date of shipment. Parts, product repairs, and services are warranted for 90 days. This warranty extends only to the original buyer or end-user customer of a Fluke authorized reseller, and does not apply to fuses, disposable batteries, or to any product which, in Fluke's opinion, has been misused, altered, neglected, contaminated, or damaged by accident or abnormal conditions of operation or handling. Fluke warrants that software will operate substantially in accordance with its functional specifications for 90 days and that it has been properly recorded on non-defective media. Fluke does not warrant that software will be error free or operate without interruption.

Fluke authorized resellers shall extend this warranty on new and unused products to end-user customers only but have no authority to extend a greater or different warranty on behalf of Fluke. Warranty support is available only if product is purchased through a Fluke authorized sales outlet or Buyer has paid the applicable international price. Fluke reserves the right to invoice Buyer for importation costs of repair/replacement parts when product purchased in one country is submitted for repair in another country.

Fluke's warranty obligation is limited, at Fluke's option, to refund of the purchase price, free of charge repair, or replacement of a defective product which is returned to a Fluke authorized service center within the warranty period.

To obtain warranty service, contact your nearest Fluke authorized service center to obtain return authorization information, then send the product to that service center, with a description of the difficulty, postage and insurance prepaid (FOB Destination). Fluke assumes no risk for damage in transit. Following warranty repair, the product will be returned to Buyer, transportation prepaid (FOB Destination). If Fluke determines that failure was caused by neglect, misuse, contamination, alteration, accident, or abnormal condition of operation or handling, including overvoltage failures caused by use outside the product's specified rating, or normal wear and tear of mechanical components, Fluke will provide an estimate of repair costs and obtain authorization before commencing the work. Following repair, the product will be returned to the Buyer transportation prepaid and the Buyer will be billed for the repair and return transportation charges (FOB Shipping Point).

THIS WARRANTY IS BUYER'S SOLE AND EXCLUSIVE REMEDY AND IS IN LIEU OF ALL OTHER WARRANTIES, EXPRESS OR IMPLIED, INCLUDING BUT NOT LIMITED TO ANY IMPLIED WARRANTY OF MERCHANTABILITY OR FITNESS FOR A PARTICULAR PURPOSE. FLUKE SHALL NOT BE LIABLE FOR ANY SPECIAL, INDIRECT, INCIDENTAL, OR CONSEQUENTIAL DAMAGES OR LOSSES, INCLUDING LOSS OF DATA, ARISING FROM ANY CAUSE OR THEORY.

Since some countries or states do not allow limitation of the term of an implied warranty, or exclusion or limitation of incidental or consequential damages, the limitations and exclusions of this warranty may not apply to every buyer. If any provision of this Warranty is held invalid or unenforceable by a court or other decision-maker of competent jurisdiction, such holding will not affect the validity or enforceability of any other provision.



99 Washington Street
Melrose, MA 02176
Phone 781-665-1400
Toll Free 1-800-517-8431



Table of Contents

Chapter	Title	Page
1	General Information	1-1
	Introduction.....	1-1
	How to Contact Fluke.....	1-1
	Safety Information.....	1-2
	Symbols Used in this Manual.....	1-2
	Hydraulic Circuit Schematic.....	1-3
2	Preparation	2-1
	Location.....	2-1
	Fluid Filling.....	2-1
3	Operation	3-1
	Connections.....	3-1
	Procedure for Removing Trapped Air from System.....	3-2
	Procedure for Priming the Pressure Intensifier.....	3-4
	Procedure for Generating System Pressure.....	3-5
	Generating Calibration Pressure.....	3-6
4	Maintenance.....	4-1
	Introduction.....	4-1
	PCU Removal.....	4-1
	Cleaning.....	4-2
	Replacement.....	4-3
5	Recalibration.....	5-1
	Introduction.....	5-1
	Do's and Don'ts.....	5-1
	Don'ts.....	5-1
	Do's.....	5-1
6	Pressure Corrections.....	6-1
	Introduction.....	6-1

Temperature and Gravity Corrections 6-2

List of Tables

Table	Title	Page
1-1.	Symbols.....	1-2

List of Figures

Figure	Title	Page
1-1.	Hydraulic Circuit Schematic	1-3
3-1.	Pressure Connection - Method 1	3-1
3-2.	Pressure Connection - Method 2	3-2
3-3.	Remove Trapped Air	3-2
3-4.	Turn Capstan Fully Clockwise	3-3
3-5.	Prime the Pressure Intensifier	3-4
3-6.	Generate System Pressure	3-5
3-7.	Close Reserve Valve	3-6
3-8.	5 Correct Float Position	3-7
4-1.	Piston/Cylinder Removal	4-2
6-1.	Pressure Corrections.....	6-2
6-2.	Nomogram for Finding the Value of.....	6-3

Chapter 1

General Information

Introduction

This manual contains operation and routine and preventive maintenance instructions for the Model P3830, P3840, and P3860 High Pressure Hydraulic Deadweight Tester (DWT) manufactured by Fluke. This section of the manual provides general information about the DWT.

The P3800 Series of Deadweight Testers (DWT) provides a convenient means of testing high pressure instruments for calibration accuracy.

The design incorporates the “Piston Gauge” principle, in which an applied pressure within the system, balances a known mass applied to a piston of known effective area. i.e.

$$PRESSURE = \frac{\text{Total mass applied to piston}}{\text{Effective area of piston}}$$

The unit comprises a base plate onto which is mounted a high pressure manifold, a piston/cylinder unit (PCU), a test station (to mount the equipment under test), a fluid reservoir, a ram screw pressure generating system, a pressure intensifier (which increases the pressure generated by a factor of 7:1), and a safety relief valve (which protects both the low and high pressure systems from accidental overpressure). The whole assembly is contained within a strong GRP housing.

The unit is equipped with four adjustable feet to enable correct leveling. This ensures that the PCU is in the vertical plane, which is essential for both accurate and reliable performance.

The hydraulic fluid supplied with the unit has been specially formulated to remain fluid at high pressures and to ensure no corrosion of internal parts. In addition the fluid will not oxidize in contact with air or emulsify or mix with water.

How to Contact Fluke

To order accessories, receive operating assistance, or get the location of the nearest Fluke distributor or Service Center, call:



99 Washington Street
Melrose, MA 02176
Phone 781-665-1400
Toll Free 1-800-517-8431



Safety Information

Warning

Pressurized vessels and associated equipment are potentially dangerous. The apparatus described in this manual should be operated by personnel trained in procedures that will assure safety to themselves, to others, and to the equipment.

Warning

Please read these instructions carefully prior to installing and using the Tester. The pressure built up internally during use can be extremely high. Ensure that all connections are made correctly.




DO NOT CONNECT DWT TO EXTERNAL PRESSURE SOURCE

Symbols Used in this Manual

In this manual, a **Warning** identifies conditions and actions that pose a hazard to the user. A **Caution** identifies conditions and actions that may damage the Deadweight Tester (DWT).

Symbols used on the Deadweight Tester (DWT) and in this manual are explained in Table 1-1.

Table 1-1. Symbols

Symbol	Description
	Earth Ground
	Important Information: refer to manual
	Do not dispose of this product as unsorted municipal waste. Go to Fluke's website for recycling information.

Hydraulic Circuit Schematic

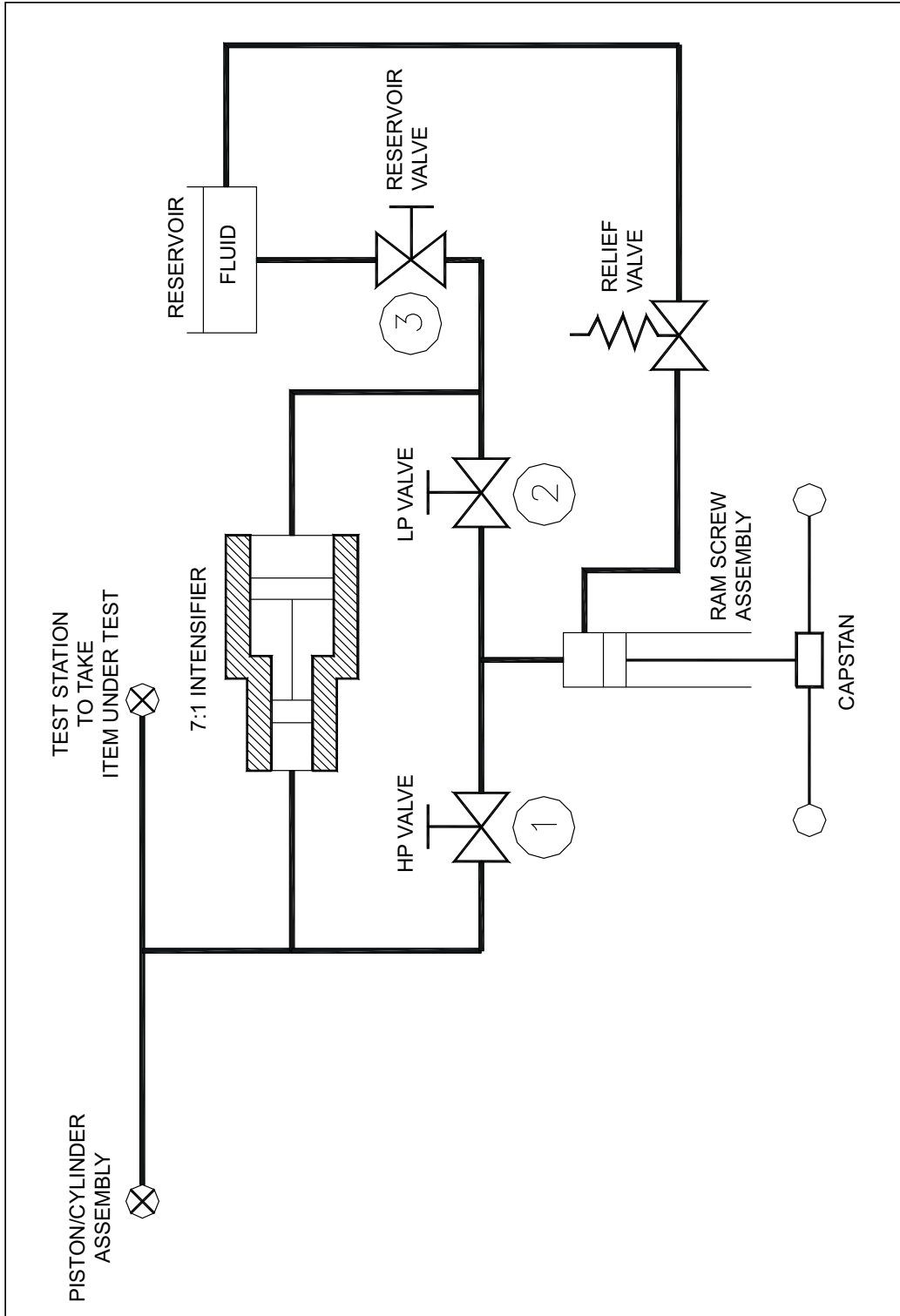


Figure 1-1. Hydraulic Circuit Schematic

g1f01.eps

Chapter 2

Preparation

Location

Note

Item number references in the following text, (1), (2), etc, relate to the hydraulic system schematic, shown in the figures below.

Place the unit onto a clean, flat surface of a strong and rigid workbench.

Ensure that the front of the unit is approximately $\frac{3}{4}$ " / 20 mm from the front edge of the bench to allow the ram screw capstan to overhang and freely rotate.

Level the DWT by placing the spirit level on top of the weight carrier tube and adjusting the 4 leveling feet accordingly.

Fluid Filling

Fill the fluid reservoir as follows:

Fully unscrew (counter-clockwise) the reservoir valve screw (3) and remove it together with the spring and reservoir cover. Place to one side. Fill with the correct fluid to the top of the brass nut visible on the inside of the reservoir. Fully wind out (counter-clockwise) the capstan so that fluid is drawn into the DWT. Refill the reservoir to the top of the brass nut and replace the cover, spring and reservoir valve screw. Fully screw in (clockwise) the reservoir valve screw and then unscrew (counter-clockwise) again 4 full turns.

The deadweight tester is now ready to receive the Equipment Under Test (EUT).

Chapter 3 Operation

Connections

Connect the EUT to the test station using a gauge adapter and lens ring from the selection provided.

⚠ Caution

This unit can generate very high pressures and, as a consequence, only metal-to-metal sealing is acceptable, i.e. no sealing washers of any description should be used (see Figure 3.1 and 3.2 for methods of sealing).

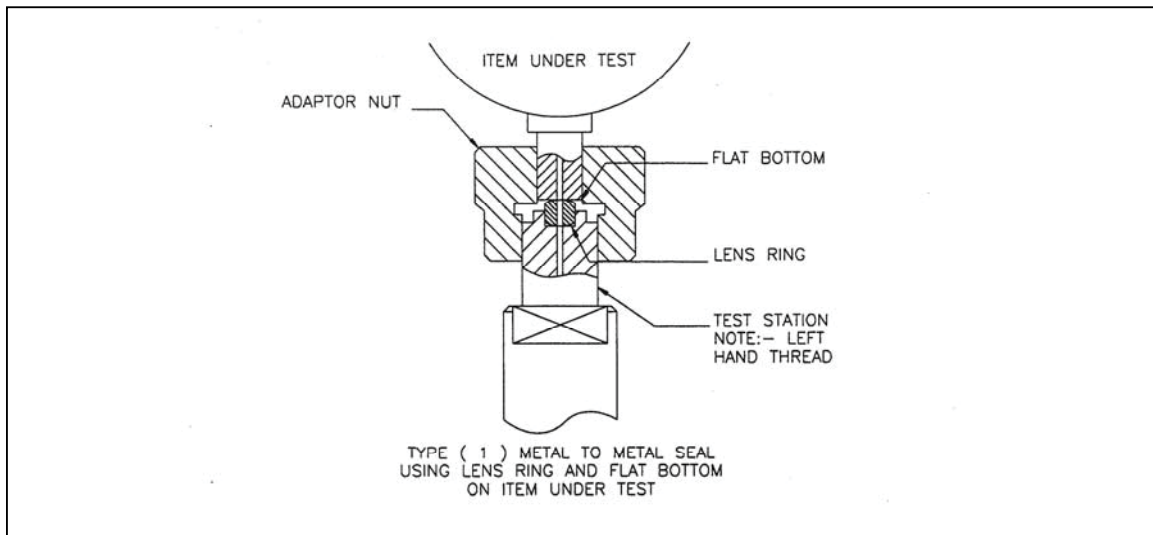


Figure 3-1. Pressure Connection - Method 1

glf02.eps

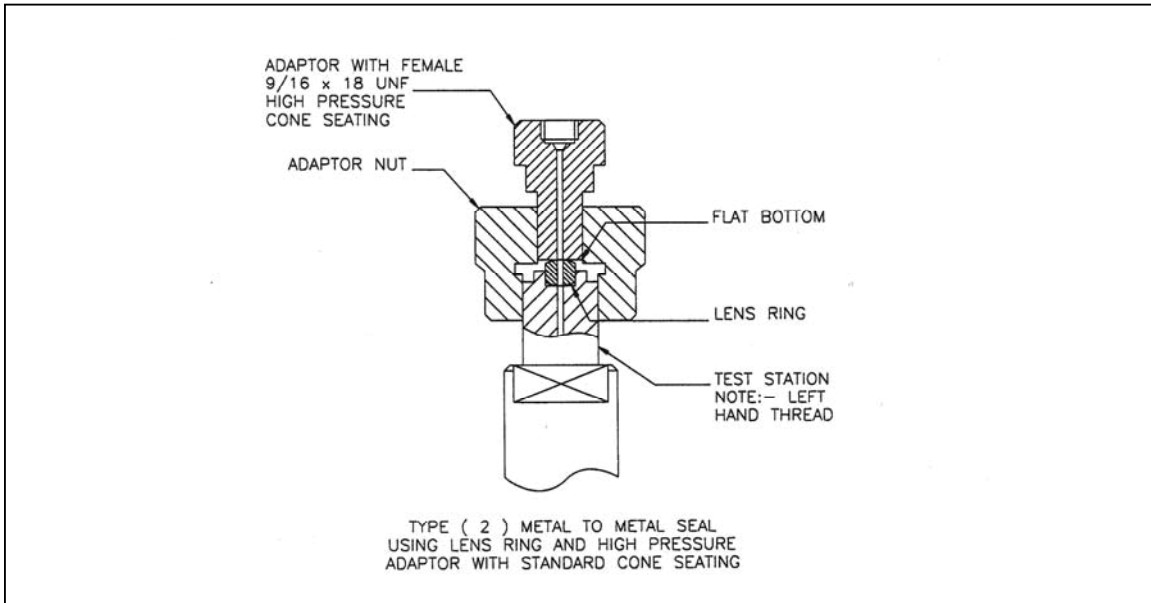


Figure 3-2. Pressure Connection - Method 2

glf03.eps

Procedure for Removing Trapped Air from System

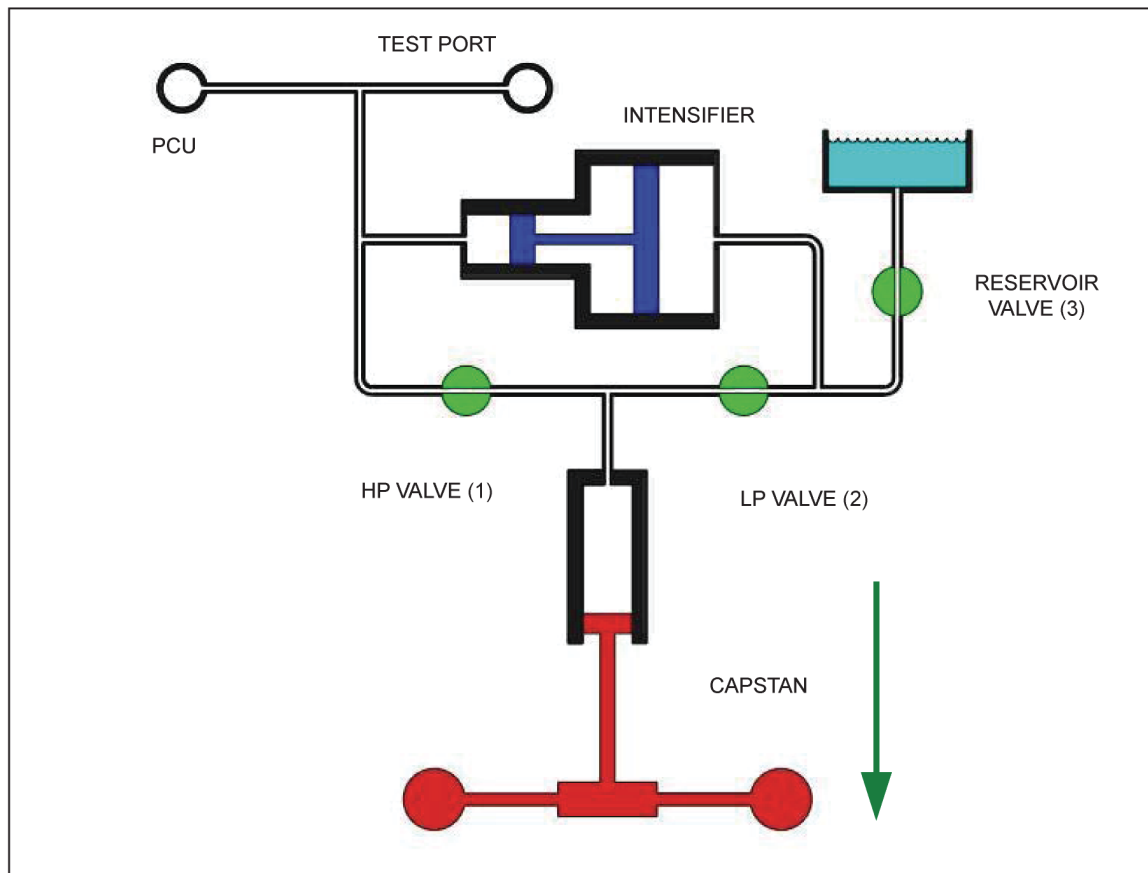


Figure 3-3. Remove Trapped Air

glf04.bmp

1. Open HP valve (1) and LP valve (2) fully, (counter-clockwise).
2. Open reservoir valve (3), (approximately 4 turns counter-clockwise).
3. Turn capstan fully out (counter-clockwise), and wait for approximately 60 seconds.

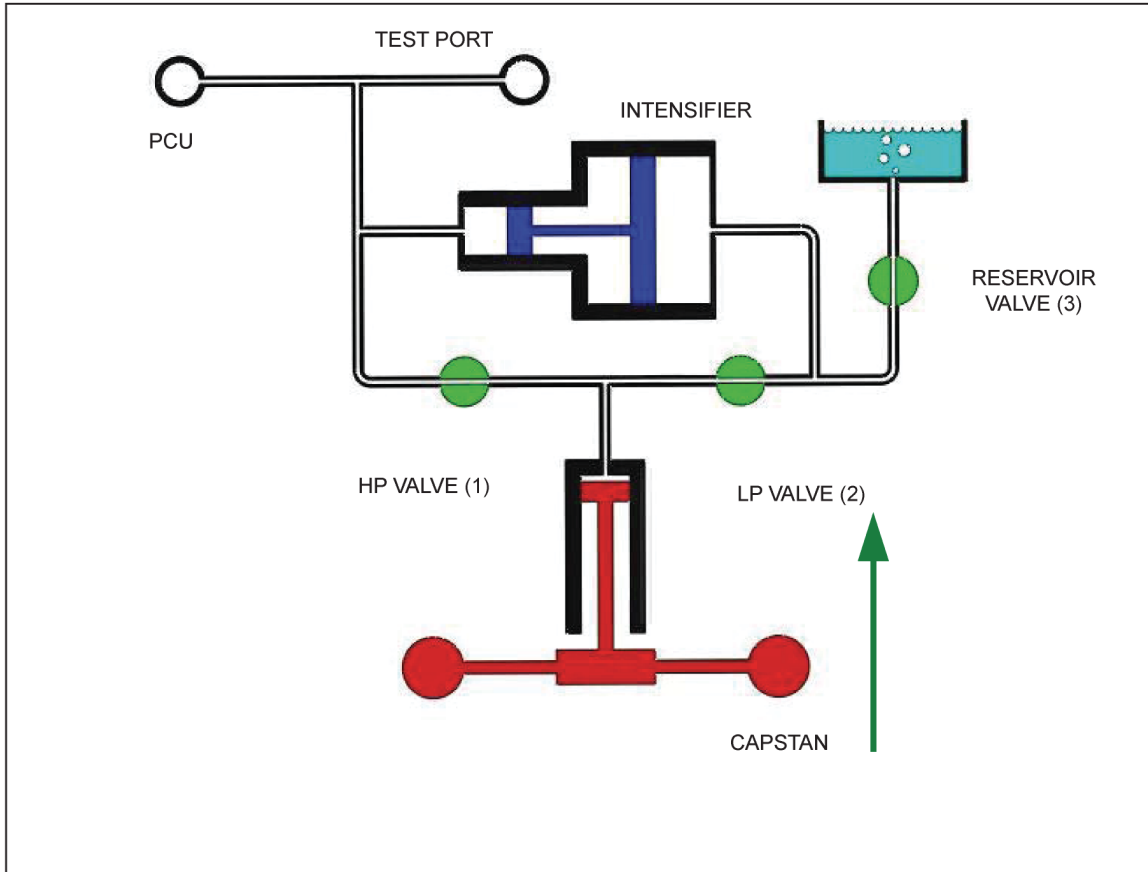


Figure 3-4. Turn Capstan Fully Clockwise

gff05.bmp

4. Turn capstan fully in (clockwise), and wait for approximately 15 seconds.
5. Trapped air from the system will appear as bubbles in the reservoir.
6. Repeat the procedure until no more air appears in the reservoir.

Procedure for Priming the Pressure Intensifier

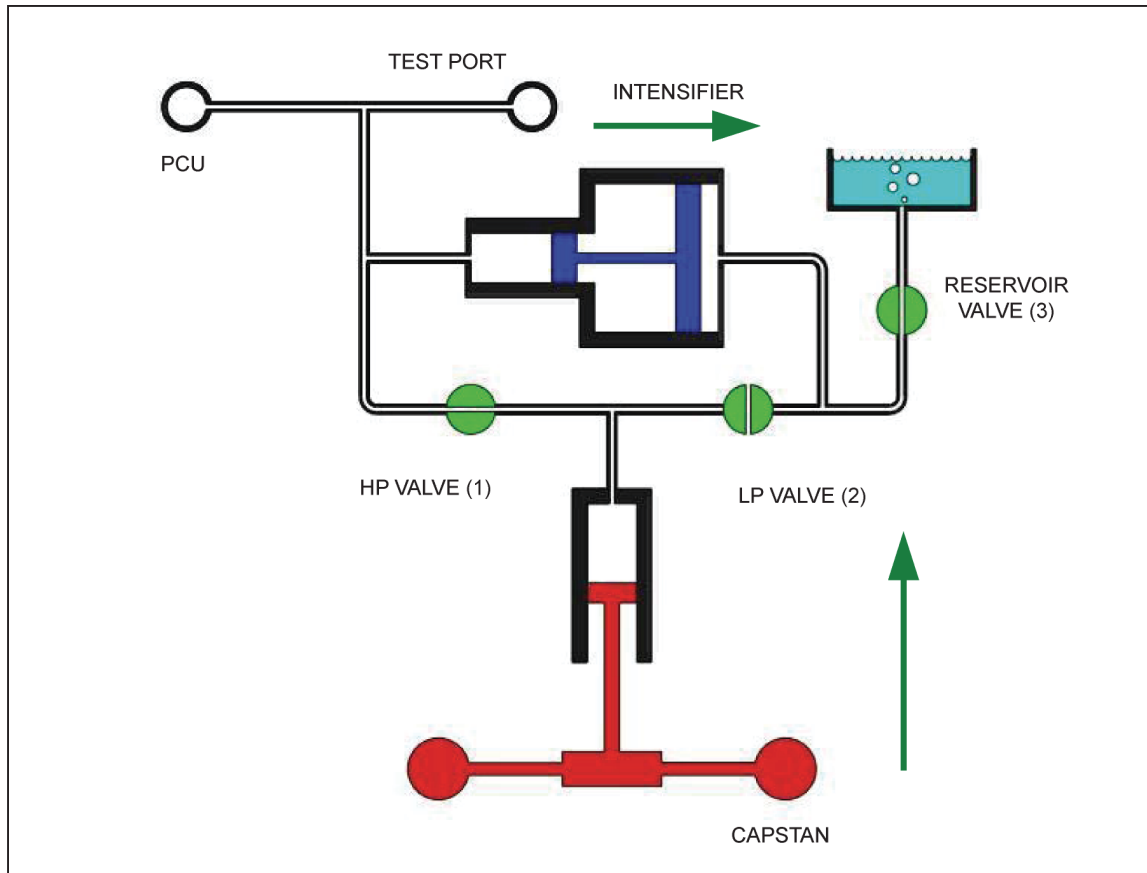
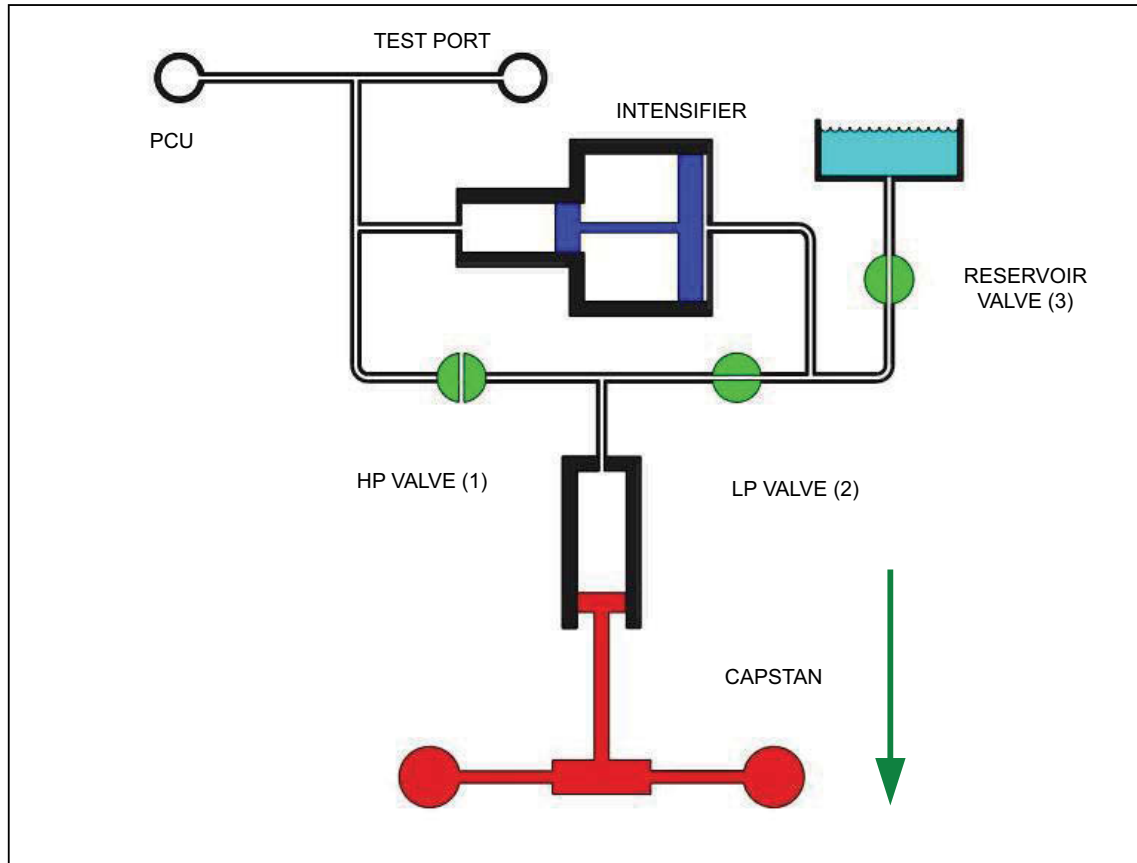


Figure 3-5. Prime the Pressure Intensifier

gff06.bmp

1. Close LP valve (2) by turning fully clockwise.
2. Turn capstan in (clockwise) until resistance is felt. This is a result of the pressure required to move the intensifier piston backward in its cylinder, and to lift the measuring piston and weight carrier.
3. Some additional bubbles may appear in the reservoir.

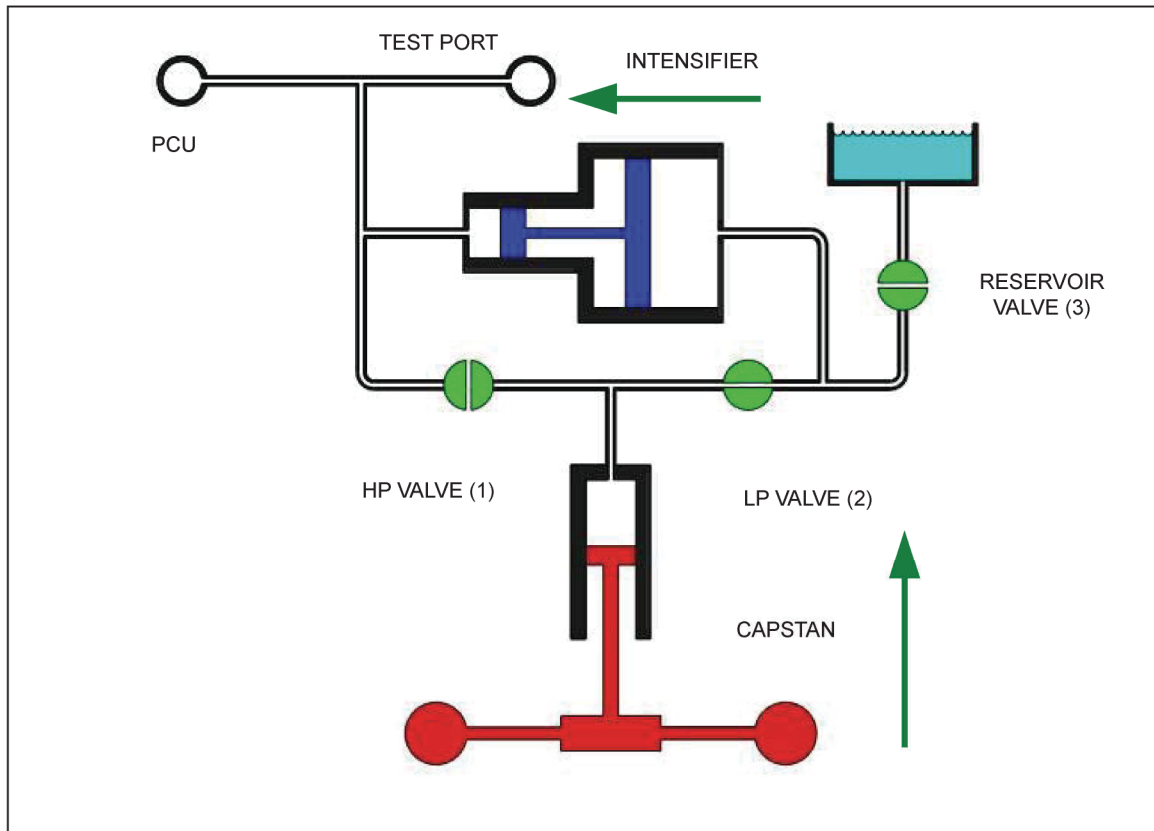
Procedure for Generating System Pressure



glf07.eps

Figure 3-6. Generate System Pressure

1. Close HP valve (1).
2. Open LP valve (2).
3. Turn capstan fully out to prime it with fluid from the reservoir.



gff08.bmp

Figure 3-7. Close Reserve Valve

4. Close reservoir valve (3).
5. Turn capstan in to generate system pressure. The displaced fluid from the ram screw moves the intensifier piston, generating system pressure to lift the measuring piston and weights.

Generating Calibration Pressure

To generate any required pressure select weights so that the sum of all the weights (their pressure equivalents are marked on the top of each weight) PLUS the pressure marked on the carrier is equal to the pressure required. Load the weights onto the carrier one at a time, ensuring correct location.

Generate pressure by winding the capstan in (clockwise) until the weight stack starts to rise. Spin the weight stack in a clockwise direction at approximately 40 rpm by using the palms of the hands on opposite side of the stack.

Adjust the height of the weight stack winding the capstan in or out until the underside of the bottom weight lines up with the mid-float position marked on the indicator rod (see Figure 3-8). The areas above and below the mid-float position indicate the upper and lower travel limits of the piston assembly.

Before adding or removing weights, it is essential that the weight stack is no longer spinning.

⚠ Caution

When reducing pressure ALWAYS use the capstan (by winding out counter-clockwise). NEVER use any of the valves.

When reducing from high system pressures, some pressure is still retained in the system, even after winding the capstan fully out (approximately 700 psi / 50 bar). To release this pressure see note below.

Note

To reduce pressure to zero, wind the capstan fully out anticlockwise. Open HP valve (1) SLOWLY and fully counter-clockwise. Open reservoir valve (3), four turns anticlockwise.

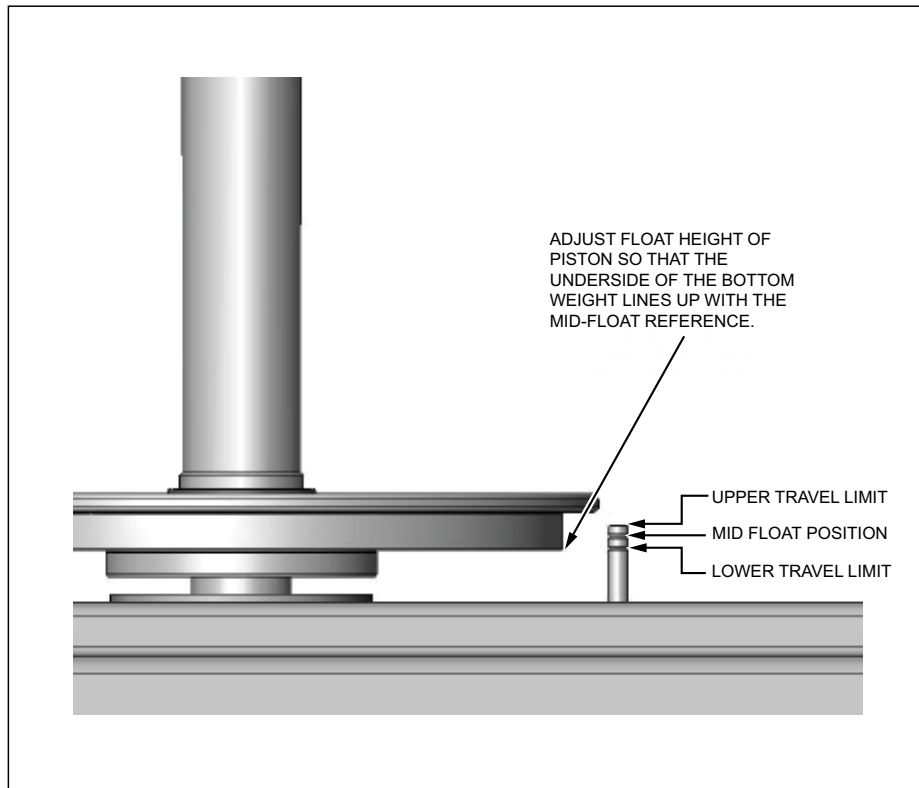


Figure 3-8. Correct Float Position

glf09.eps

Chapter 4

Maintenance

Introduction

The P3800 Series of High Pressure Deadweight Testers have been designed to require minimal maintenance.

Routine maintenance entails keeping the unit clean and free from excess oil.

The operating fluid should be changed at regular intervals due to potential contamination from items under test. As soon as discoloration of the fluid is observed it should be replaced as soon as possible.

Warning

**If fluid contacts the skin, a mild allergic reaction may result.
Wash at once with soap and water.**

Should the PCU require inspection or cleaning, great care must be taken whilst handling the components.

PCU Removal

Before removal of the PCU, the system pressure must be reduced to zero as described above.

1. Carefully lift off Weight Carrier Tube Assembly.
2. Unscrew Piston Nut B, and lift out Piston — **take great care not to apply any side-loads to the piston to avoid possible breakage.**
3. Unscrew Piston Nut A, taking great care not to drop Cylinder, as it may be inside the assembly.

Note

The Piston Nut A contains a bearing assembly, which is held in place by a snap-ring. This should not normally require any maintenance or additional lubrication.

4. Remove Cylinder.
5. The O Ring Seal under the PCU can now be replaced if required.

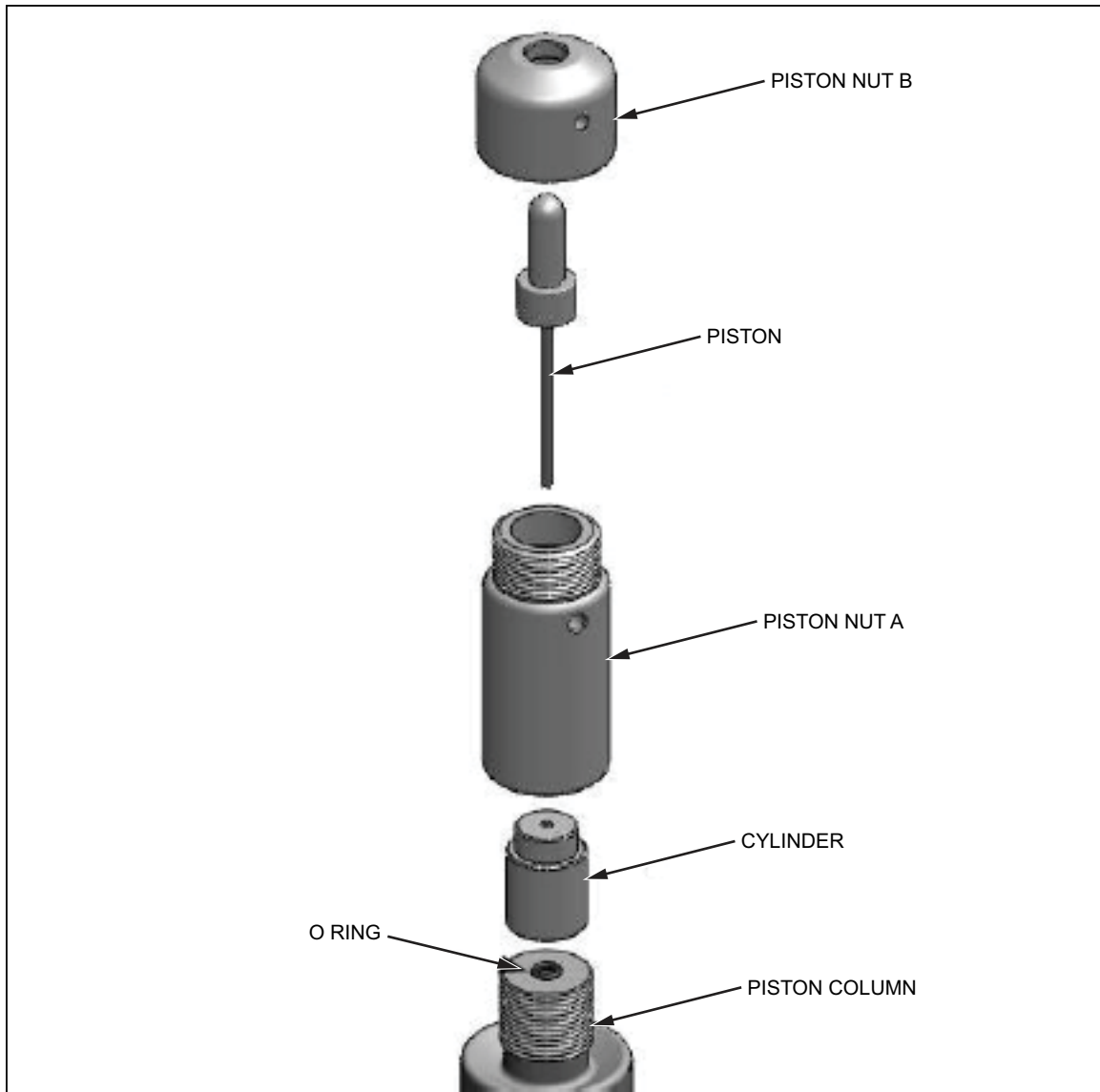


Figure 4-1. Piston/Cylinder Removal

glf10.eps

Cleaning

1. Use “non-fluffing”, non-abrasive, lint-free tissue or absorbent cloth. Hold the Piston by the larger “head” end, and rub the tissue back and forth along its length.
2. To remove all traces of contamination, the piston can be cleaned in a suitable solvent.

⚠ Caution

O-ring seals should not be immersed in solvents, as they will become damaged. They should be wiped carefully with a new tissue.

3. After removal from the solvent, using a NEW tissue, repeat the cleaning procedure above.
4. Place piston carefully on a NEW tissue where it will not be damaged while the cylinder is cleaned.

⚠ Caution

Never touch the working surface of a clean piston with bare fingers — the natural oil in your skin can cause the piston and cylinder to stick.

5. Wipe excess fluid from the outside surfaces of the cylinder.
6. Roll a NEW tissue into a tapered rod of appropriate size. Force the tissue through the cylinder bore whilst rotating. Ensure that the tissue is a tight fit inside the bore so that dirt and contamination is removed.
7. Repeat the above step, using a NEW tissue, but from the opposite end of the cylinder.
8. Immerse the cylinder in a suitable, clean solvent, then, using NEW tissues, repeat the cleaning procedure with the tapered tissue rolls.

Replacement

1. Ensure that the O Ring is clean and undamaged, and that it is fitted correctly in the top of the PCU Column.
2. Place cylinder on top of the PCU Column, with the reduced diameter at the top, secure with Piston Nut A.
3. Hold the Piston by the larger “head” end, and dip the smaller “working” end into a container of CLEAN operating fluid. Transfer this to the top of Piston Nut A, and allow a few drops of the fluid to run through the bearing assembly and through the bore of the Cylinder. Repeat this 3 or 4 times to ensure a good film of fluid in the Cylinder.
4. CAREFULLY introduce the working end of the piston into the Cylinder — ensuring that it is held VERTICALLY, and push gently through.

⚠ Caution

Never force the piston into its cylinder or damage will result.

5. If resistance is felt, introduce more fluid. If resistance continues, re-clean piston, cylinder or both. If, after repeated cleaning, the piston still will not slide freely within the cylinder, then permanent damage may have occurred. In which case, the parts should be returned to the factory for evaluation or replacement.
6. Screw Piston Nut B onto Nut A to retain the Piston.
7. Carefully replace Weight Carrier Tube Assembly, ensuring that the central hole in the top locates correctly on the top of the Piston.

Chapter 5

Recalibration

Introduction

To maintain the highest accuracy the DWT should be recalibrated at regular intervals. The exact period between recalibrations is dependant on ambient conditions and use. As a general guide, recalibration period should be more than 1 year and less than 3 years.

Do's and Don'ts

Don'ts

- DO NOT release high pressure using any of the valves — ALWAYS use the Capstan to reduce high pressure before opening any valve.
- DO NOT rotate the Weight Stack at its TOP or BOTTOM position.
- DO NOT remove the GRP cover.
- DO NOT transport with fluid in the system.
- DO NOT allow fluid to fall below the recommended level.

Do's

- DO change the operating fluid at the first sign of contamination.
- DO have the Deadweight Tester and Weight Set recalibrated at regular intervals.

Chapter 6

Pressure Corrections

Introduction

Pressure correction is required for high accuracy work and is due to the effects of pressure on the PCU assembly during operation. By reference to the certificate of calibration provided the actual pressure in the system can be obtained. All values relate to the environmental conditions stated on the certificate.

The pressure in the system when the carrier is loaded with major weights can be read directly from the second column of the certificate.

The pressure in the system when the carrier is loaded with incremental weights is given together with the pressure in the system when the carrier is loaded with major and incremental weights. From these values, assuming effects are linear, the incremental weight corrections over the range may be calculated.

If the DWT is located at a position where the values of the gravitational acceleration and temperature of the operation are the same as those values specified for calibration, then the Actual Pressure is fully corrected. If the DWT is used under different conditions then further correction is necessary. The reference level is specified on the certificate.

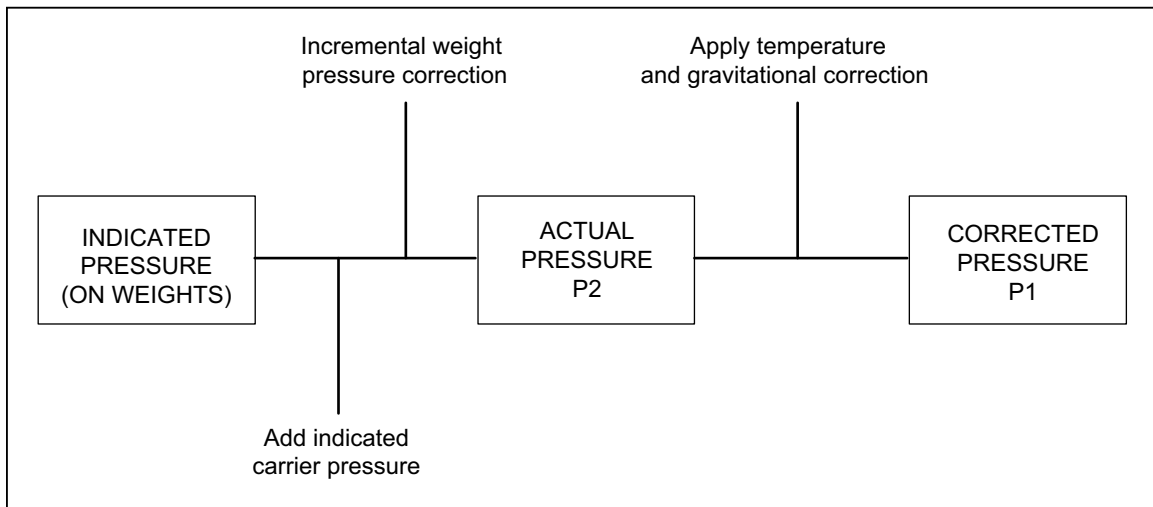


Figure 6-1. Pressure Corrections

glf11.eps

Temperature and Gravity Corrections

Deadweight testers are manufactured to give an accurate pressure reference at the specified temperature and gravity values indicated on the certificates. The following Standard Values are applied during calibration unless otherwise requested during manufacture (see Certificate).

Standard Gravitational acceleration (G) 9.80665 m/s²

Standard Temperature (T) 20°C

$$P_1 = P_2 \left(1 + \alpha (T - t) \right) \frac{g}{G}$$

Where:

P_1 = Corrected Pressure

P_2 = ACTUAL PRESSURE

α = Coefficient of Linear Expansion

(The value for a specific piston / cylinder assembly (PCU) is shown on the Calibration Certificate)

T = DWT calibrated temperature (°C)

t = Temperature at position of DWT (°C)

g = Gravitational acceleration at position of DWT

G = DWT calibrated gravitational acceleration

The value of gravitational acceleration (g) varies with latitude, height above sea level and geological conditions at the location of the DWT. When the gravitational acceleration varies from that for which the DWT was calibrated, the above correction must be made. The local value of gravitational acceleration (g) can be obtained as follows:

Data from the appropriate geophysical authority

Approximated from the Nomogram.

Calculated from the formula:

$$g = 9.7803184 \left(1 + 0.0053024 \sin^2 L - 0.0000059 \sin^2 2L \right) - 0.0000038086H$$

Where:

L = geographical latitude, H = height above sea level in meters and units of g are m/s²

Height Corrections

Tests carried out at locations other than the test stations may require corrections for fluid heights. The pressure exerted by a column of fluid 1" / 25.4 mm high will not exceed 0.036 psi / 0.0025 bar using the recommended fluids.

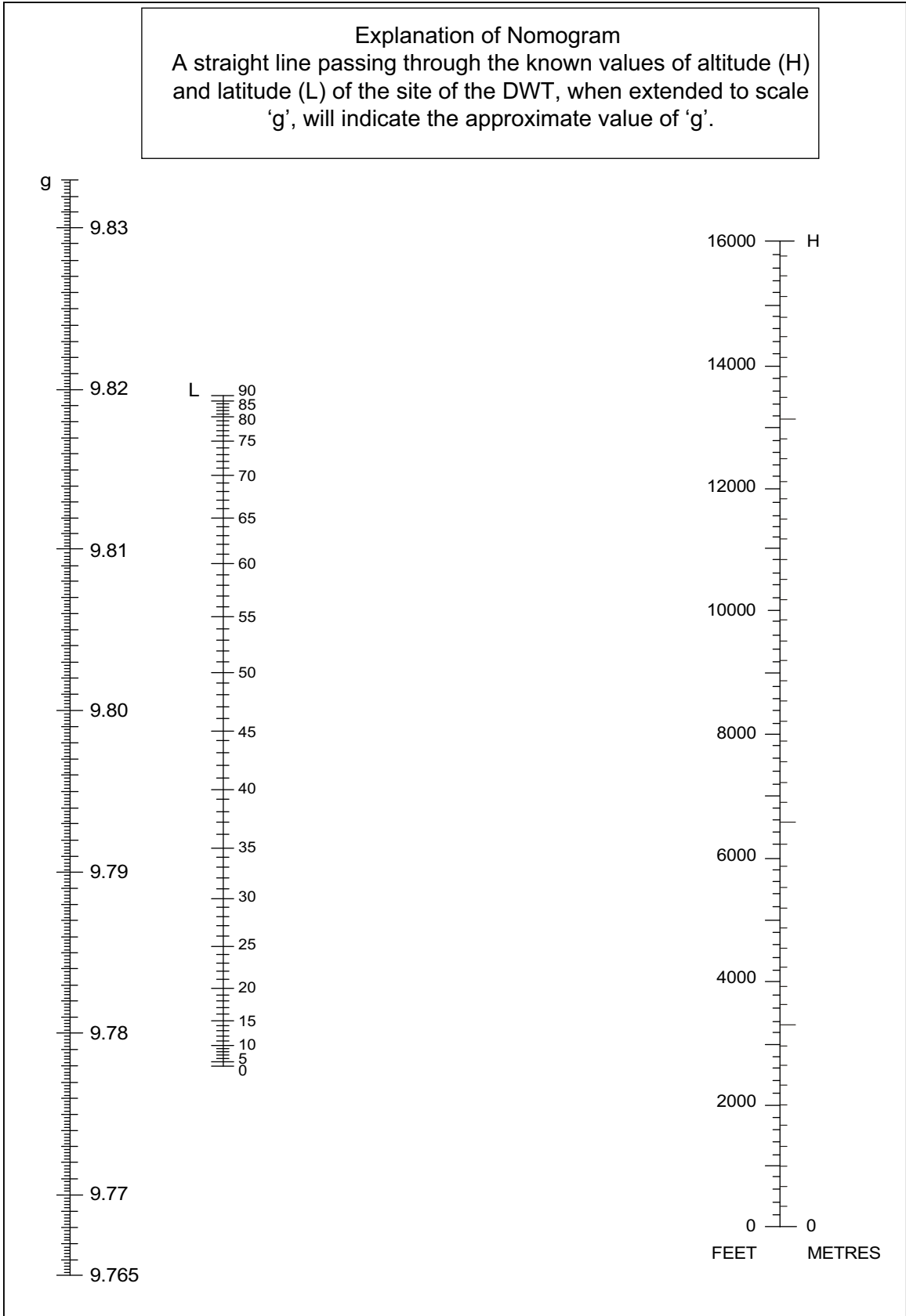
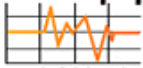


Figure 6-2. Nomogram for Finding the Value of "g" from Altitude and Latitude

g1f12.eps

Test Equipment
 **Depot**
1-800-517-8431

99 Washington Street
Melrose, MA 02176
Phone 781-665-1400
Toll Free 1-800-517-8431

 Visit us at www.TestEquipmentDepot.com