



PAJ

Gold and Carat Series Jewelry Balances

**Test Equipment
Depot**
1-800-517-8431

99 Washington Street
Melrose, MA 02176
Phone 781-665-1400
Toll Free 1-800-517-8431

Visit us at www.TestEquipmentDepot.com



The Economical Choice for Jewelry Weighing!

The OHAUS PAJ Gold and Carat Series of precision jewelry balances are designed for basic routine weighing in general and legal-for-trade jewelry applications, and offer uncomplicated performance for all your basic weighing needs.

Standard Features Include:

- **The large weighing pan**—Large amounts of precious metals and gemstones can be accommodated in a single batch.
- **Bright backlit LCD display**—With a bright backlit LCD display, and auxiliary display available as an accessory, PAJ Gold and Carat Series displays can be read, even in dimly lit areas.
- **Internal calibration**—Internal calibration is available in select models to ensure the accuracy of weighing.

PAJ Gold and Carat Series Jewelry Balances

Multiple Modes and Weighing Units

Each PAJ Gold and Carat Series Balance can be set-up to weigh in one or more weighing units, including g, ct, lb, oz, ozt, GN, dwt. The PAJ Series also includes weighing modes for parts counting and percent weighing, and a weigh-below balance hook.

Up-front Level Indicator Ensures Accuracy

The PAJ has been designed with an up-front level indicator, eliminating the need to look behind the balance during the leveling process. A quick glance at the up-front level indicator helps you ensure that the balance is level prior to each use.

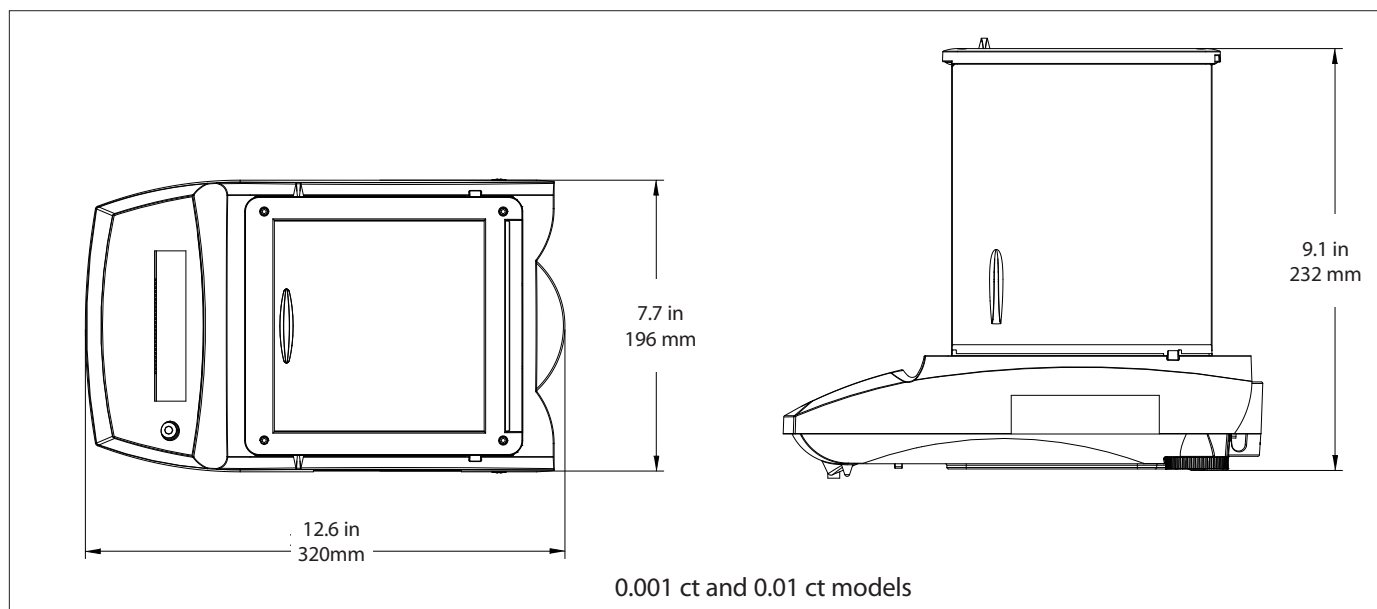


Selectable Environmental Settings For Working in Practically Any Condition



To help adapt the balance to real life working conditions, the PAJ is designed with selectable environmental settings. When working in harsh environments, the balance can be adjusted to compensate for vibrations and other disturbances. Conversely, the balance can be adjusted for working in slow filling applications where sensitivity is a must.

Outline Dimensions



Standard Features

Integral Security Bracket

Allows you to secure your balance to a workstation to prevent unwarranted movement or theft.



RS232 Interface

The PAJ's RS232 allows connection to an OHAUS printer or a computer. Sends Balance ID plus spaces for recording User ID, Project ID, time and date.

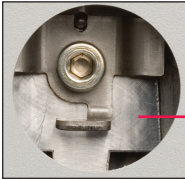
Integral Menu Lock

A combination of software and a mechanical switch, locks menus, including calibration.



Weigh-Below Hook

The PAJ's built-in weigh-below hook allows you to suspend an item below the balance to calculate density/specific gravity.

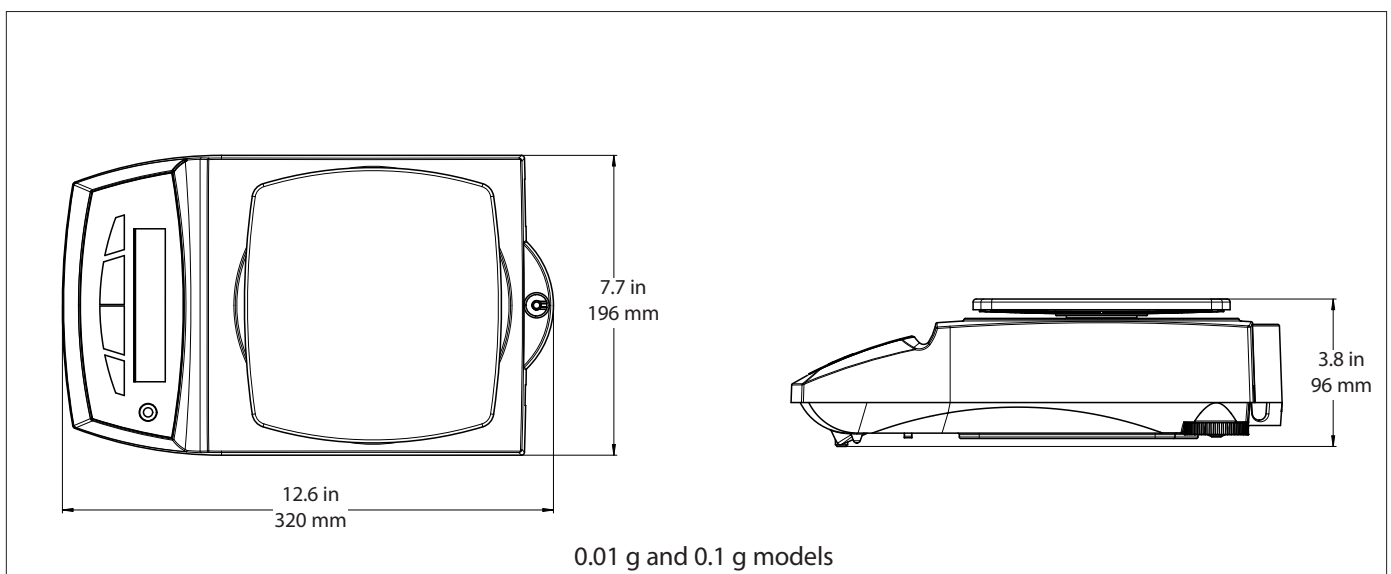


Up-Front Level Indicator
A quick glance at the up-front level indicator helps to ensure that the balance is level, prior to each use.

Multiple Application Modes and Units

PAJ Gold and Carat Series Balances feature Basic Weighing, Parts Counting and Percent Weighing, and 7 weighing units.

Outline Dimensions



PAJ Gold and Carat Series Jewelry Balances

Model	PAJ603CN	PAJ1003CN	PAJ2003CN	PAJ812CN	PAJ2102CN	—	PAJ4102CN	—
	—	—	—	PAJ812N	PAJ2102N	PAJ3102N	PAJ4102N	PAJ4101N
Capacity	625ct	1050ct	2050ct	810 g	2100 g	3100 g	4100 g	4100 g
Readability	0.001ct		0.01ct	0.01 g	0.01 g	0.01 g	0.01 g	0.1 g
Repeatability	0.001ct		0.01ct	0.01 g	0.01 g	0.01 g	0.01 g	0.1 g
Linearity	0.002ct		0.01ct	0.02 g			0.03 g	0.1 g
Approved Readability (e)	0.01ct		0.1ct	0.1 g	0.1 g	0.1 g	0.1 g	0.1 g
Approval	Class I			Class II				
Tare Range	To capacity by subtraction							
Stabilization	4 Seconds			3 Seconds				
Calibration	CN models: Internal InCal Calibration or external calibration/all other models external calibration only							
Linearity Calibration masses	50 g, 100 g	100 g, 200 g	200 g, 400 g	400 g, 800 g	1000 g, 2000 g	2000 g, 3000 g	2000 g, 4000 g	2000 g, 4000 g
Pan Size	ø3.5in / ø9cm		ø4.7in/ø12cm	6.1 × 7.1in/16.8 × 18cm				
Application Modes	Weighing, parts counting (with APW optimization), percentage weighing							
Weighing Units	g, mg, ct, oz, ozt, gn, dwt							
Interface	RS232, bi-directional							
Power	AC adapter (included)							
Operating Conditions	50° F / 10° C to 86° F / 30° C at 10% to 80% relative humidity, non-condensing							
Storage Temperature	-40° F / -40° C to 131° F / 55° C at 10% to 80% relative humidity, non-condensing							
Balance Dimensions (W × H × D)	7.7 × 12.6 × 9.2 in 196 × 320 × 232 mm			7.7 × 12.6 × 3.6 in 196 × 320 × 92 mm				
Carton Dimensions (L × W × H)	19.1 × 15.0 × 20.4 in 485 × 380 × 517 mm			19.1 × 15.0 × 12.7 in 485 × 380 × 322 mm				
Net Weight	10.1 lb/4.6 Kg			CN model: 9.9 lb/ 4.5 Kg N model: 7.7 lb/3.5 Kg				
Shipping Weight	16.5 lb/7.5 Kg			CN model: 13.9 lb/6.3 Kg N model: 11.7 lb/5.3 Kg				

Other Standard Features and Equipment

AC adapter, user selectable span calibration points, software reset menu, stability indicator, Auto Tare, user selectable communications settings, user selectable printing options, stainless steel platform, weigh-below hook, integral security bracket.

Compliance

- **Metrology:** NIST Handbook 44 (NTEP CC 09-043); Canada Weights and Measures Regulations (Measurement Canada NoA AM-5717)
- **Product Safety:** CAN/CSA-C22.2 No. 61010-1; UL Std. No. 61010-1
- **Electromagnetic Compatibility:** FCC Part 15 Class A; Industry Canada ICES-003 Class A

Accessories

SF40A Impact Printer.....	30064203
Paper for Thermal Printer.....	80251931
Cable kit to connect Thermal Printer to PAJ....	80252581
TAL Software WinWedge	80850080
RS232 Cable, PC 9 Pin to PAJ.....	80500525
Auxiliary Display Kit for PAJ	80251396
Security Device for PAJ	80850000



99 Washington Street
Melrose, MA 02176
Phone 781-665-1400
Toll Free 1-800-517-8431

Visit us at www.TestEquipmentDepot.com

80774900_C © Copyright OHAUS Corporation

With offices throughout
Europe, Asia, and
Latin America

*ISO 9001:2008
Registered Quality
Management System

