

RX SERIES MODULE - PHRXM-A

Single analyzer, dual input

This module allows two signals to be connected and a single connected SDI or Optical video signal to be monitored continuously.

Compatible with the Rx2000, Rx1000 and Rx500 instruments.

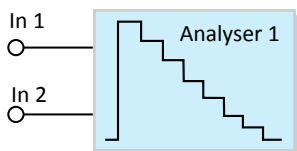
The analyser functionality allows two concurrently connected SD-SDI, HD-SDI or Optical inputs to be monitored in the form of a Picture, Vectorscope and Waveform monitor.

The Picture viewer give confidence that the signal is present and is the right feed.

The Vectorscope allows the colour hue, saturation and phase of the signal to be checked along with the bandwidth of the chrominance in the signal.

The Waveform monitor allows the levels of the luminance and colour components to be checked

The audio meter allows 16 channels of embedded Audio to be monitored and the levels can be inspected.



FEATURE HIGHLIGHTS

- HD-SDI, SD-SDI (3G-SDI OPTION) **
- SINGLE ANALYZER, DUAL INPUTS
- PICTURE VIEWER FOR CONFIDENCE
- VECTORSCOPE FOR COLOUR MONITORING
- WAVEFORM MONITOR, LEVEL CHECKING
- AUDIO MONITORING & LEVEL CHECKING

APPLICATIONS

- INPUT FEED CONFIDENCE AND MONITORING
- VIDEO AND AUDIO LEVEL CHECKING

AVAILABLE FOR

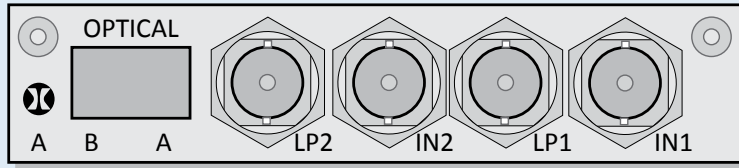
- RX2000 INSTRUMENT
- RX1000 INSTRUMENT
- RX500 INSTRUMENT

OPTIONS

- OPTICAL SFP OPTION (PHRXM-OPTAG) *
- 3G-SDI ADVANCED FORMATS OPTION**

PHABRIX® RX MODULE: PHRXM-A

Single analyzer, dual input



ANALYZER SDI INPUT

Label	IN1 and IN2
Supported standards	SD-SDI or HD-SDI. See Supported formats
Connector	BNC x 2
Input Impedance	75 ohm terminated
Input Return Loss	Better than 15dB (5MHz-1485MHz) and 10dB (1485MHz-2970MHz)
Maximum Input Voltage	+/- 2V
Purpose	Analyser Input

ANALYZER SDI OUTPUT

Label	LP1 and LP2
Connector	BNC x 2
Output Impedance	75 ohm terminated
Purpose	Loop through of IN1 and IN2

ANALYZER OPTICAL INPUT

Label	OPTICAL A and B
Type	SFP Optical Dual RX Module (option PHRXM-OPTAA)
Specifications	SMPTE 424M, 292M, and 259M
Purpose	Optical video/audio input

PICTURE MONITOR

Aspect ratio control	4 : 3 or 16 : 9 (HDMI display only)
----------------------	-------------------------------------

WAVEFORM MONITOR

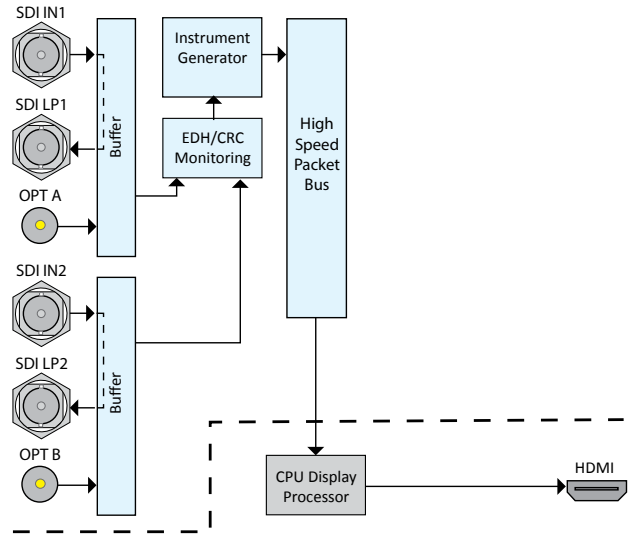
Waveform types	YCbCr, Y, Cb, Cr, GBR, R, G or B
Line selection	Specific lines or all lines

VECTORSCOPE

Graticule	100% or 75%
Scaling	x1, x2, x5 or x10
Line selection	Specific lines or all lines

AUDIO MONITOR

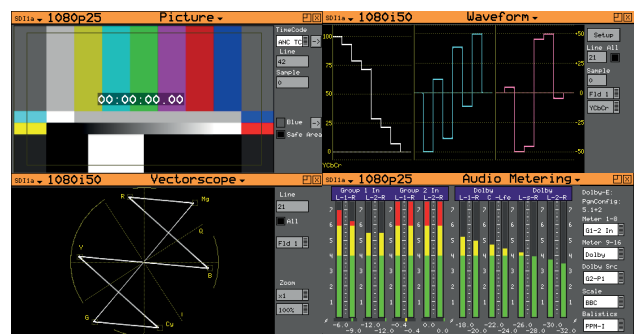
Displayed channels	16 (4 groups of 4 channels)
Audio scale	-18dB or -20db



Schematic of the PHRXM-A module



Rx500, Rx1000 and Rx2000 with HDMI output



Picture viewer, waveform monitor, vectorscope and audio monitor

ORDERING INFORMATION

Product Code	PHRXM-A
Optical SFP Option	PHRXM-OPTAA



PHABRIX is a registered trademark.

*Specifications and features described herein are subject to change without prior notice. Please consult our website www.phabrix.com for the latest data.