

## RX SERIES MODULE - PHRXM-AG Analyzer and generator

This module allows a single connected SDI or Optical\* video signal to be monitored continuously and allows the generation of a single SDI or Optical\* video test signal.

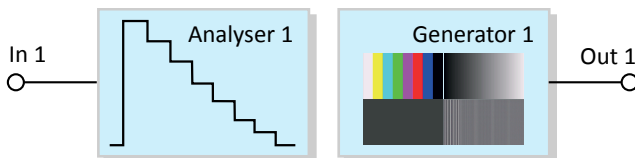
Compatible with the Rx2000, Rx1000 and Rx500 instruments.

The analyzer functionality allows two concurrently connected SD-SDI, HD-SDI or Optical inputs to be monitored in the form of a Picture, Vectorscope and Waveform monitor.

16 channels of embedded Audio can be monitored and the levels can be inspected.

The module provides a single video/audio signal generator that can be set to any one of 32, 10bit (12 bit\*\*) line-based, pathological or zone plate test signals as well as user define test signals.

Audio test signals include 17 fixed test tones (100Hz-20kHz), variable test tones (1Hz-24Khz in 1Hz steps), intermittent tone or white noise that can be applied in audio levels from 0 to -100dB in 1dB steps.



### FEATURE HIGHLIGHTS

- HD-SDI, SD-SDI (3G-SDI OPTION) \*\*
- SINGLE ANALYZER, DUAL INPUTS \*\*\*
- PICTURE VIEWER FOR CONFIDENCE
- VECTORSCOPE FOR COLOUR MONITORING
- WAVEFORM MONITOR, LEVEL CHECKING
- AUDIO MONITORING & LEVEL CHECKING
- 32, 10-BIT (12-BIT\*\*) LINE-BASED TEST PATTERNS
- PATHOLOGICAL TEST PATTERNS
- ZONE PLATE TEST PATTERNS
- 17 FIXED AUDIO TEST TONES
- VARIABLE AUDIO TEST TONES

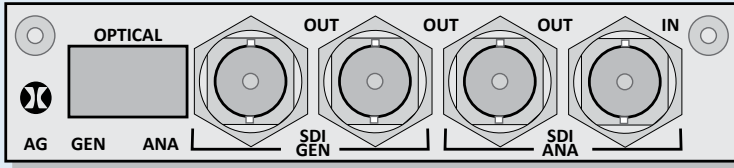
### AVAILABLE FOR

- RX2000, RX1000 AND RX500 INSTRUMENTS

### OPTIONS

- OPTICAL SFP OPTION (PHRXM-OPTAG) \*
- 3G-SDI ADVANCED FORMATS OPTION\*\*
- DUAL ANALYSER OPTION (PHRXO-AA)\*\*\*

# PHABRIX® RX MODULE: PHRXM-AG Analyzer and generator



## ANALYZER SDI INPUT

Label	SDI ANA IN
Supported standards	SD-SDI or HD-SDI.
Connector	See Supported formats
Input Impedance	BNC
Input Return Loss	75 ohm terminated
	Better than 15dB (5MHz-1485MHz)
	and 10dB (1485MHz-2970MHz)
Maximum Input Voltage	+/- 2V
Purpose	Analyser Input

## ANALYZER SDI OUTPUT

Label	SDI ANA OUT
Connector	BNC
Output Impedance	75 ohm terminated
Purpose	Loop through of SDI ANA IN

## ANALYZER OPTICAL INPUT

Label	OPTICAL ANA
Type	SFP Optical Single RX/TX Module (option PHRXM-OPTAG)*
Specifications	SMPTE 424M, 292M, and 259M
Purpose	Optical video/audio input

## GENERATOR SDI OUTPUTS

Label	SDI GEN OUT
Supported standards	SD-SDI or HD-SDI. See Supported formats
Connector	BNC x 2
Output Impedance	75 ohm terminated
Output Level	+/- 400mV
Purpose	Generator Output

## GENERATOR OPTICAL OUTPUT

Label	OPTICAL GEN
Type	SFP Optical Single RX/TX Module (option PHRXM-OPTAG)*
Specifications	SMPTE 424M, 292M, and 259M
Purpose	Optical video/audio output

## VIDEO TEST SIGNALS

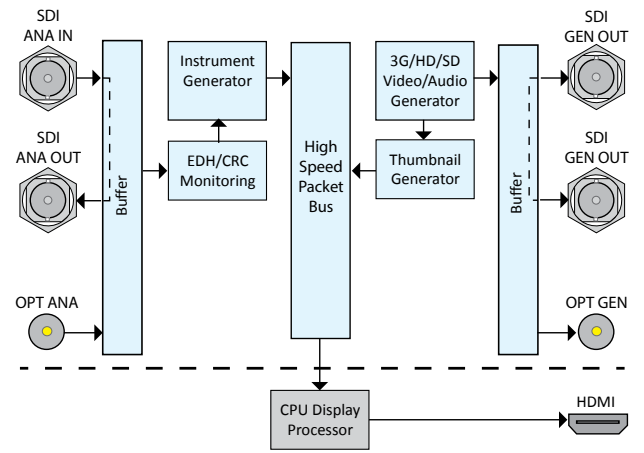
Resolution	10 bits
Static Test patterns	32+ including full frame
User defined	DPX, YUV, TGA, BMP
Zone plate	Yes

## AUDIO TEST SIGNAL

Fixed tones	17
Variable tones	1Hz-24Khz in 1Hz steps
Intermittent Tone	Yes
White noise generation	Yes
Audio levels variable	0 to -100dB in 1dB steps
Audio phase invert	Yes

## ORDERING INFORMATION

Product Code	PHRXM-AG
Optical SFP Option	PHRXM-OPTAG *
3G-SDI & Advanced Formats	PHRXO-3G **
Dual Analyser Option	PHRXO-AA ***



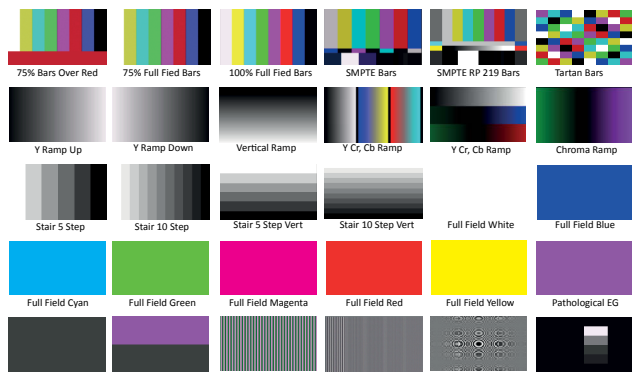
Schematic of the PHRXM-AG module



HDMI 1920 x 1080



Rx500, Rx1000 and Rx2000 with HDMI output



Available test patterns



PHABRIX is a registered trademark.

\*Specifications and features described herein are subject to change without prior notice. Please consult our website [www.phabrix.com](http://www.phabrix.com) for the latest data.