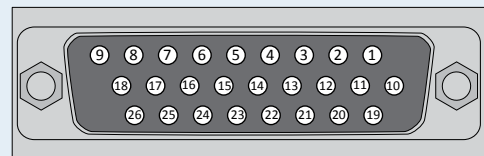
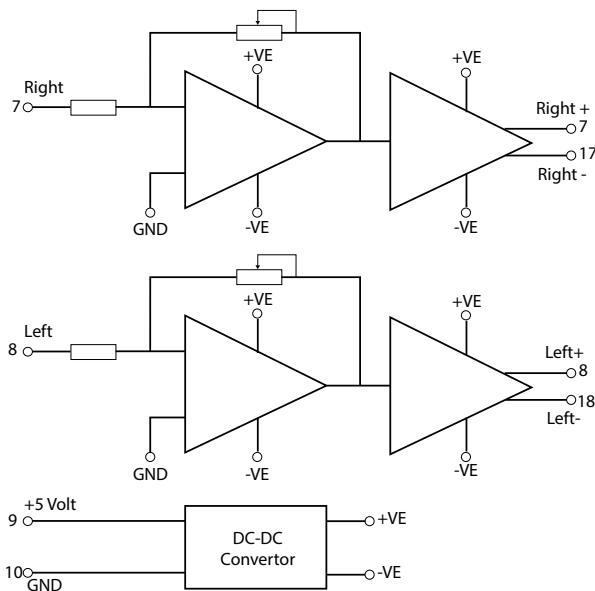


RX SERIES MODULE PHRXM-ANA

Unbalanced to Balanced Broadcast Level Analogue Audio

The Analogue Breakout Adaptor (PHRXM-ANA) is available for the Rx range of instruments and provides a stereo pair of broadcast level, calibrated, balanced analogue audio for monitoring purposes. This adaptor connects to the “GPIO” socket on the Rx rear panel and amplifies and conditions the existing unbalanced audio output to provide calibrated balanced audio levels for broadcast analogue monitoring applications



- 1 Data Terminal Equipment - Transmit (TX) (RS-232 compatible)¹
- 2 Data Terminal Equipment - Receive (RX) (RS-232 compatible)¹
- 3 Data Terminal Equipment - Request to Send (RTS)¹
- 4 Data Terminal Equipment - Clear to Send (CTS)¹
- 5 Longitudinal Timecode (LTC) - Receive (RX) P (RS-422 compatible)¹
- 6 Longitudinal Timecode (LTC) - Receive (RX) N (RS-422 compatible)¹
- 7 Audio Line Out - Right +
- 8 Audio Line Out - Left +
- 9 5 Volt, current-limited GPIO supply for 'open drain' input/outputs.¹
- 10-16 Signal ground / 0 Volt
- 17 Audio Line Out - Right -
- 18 Audio Line Out - Left -
- 19 GPIO - 0 (open drain with 10K ohm pull-up to +5 Volts)¹
- 20 GPIO - 1 (open drain with 10K ohm pull-up to +5 Volts)¹
- 21 GPIO - 2 (open drain with 10K ohm pull-up to +5 Volts)¹
- 22 GPIO - 3 (open drain with 10K ohm pull-up to +5 Volts)¹
- 23 GPIO - 4 (open drain with 10K ohm pull-up to +5 Volts)¹
- 24 GPIO - 5 (open drain with 10K ohm pull-up to +5 Volts)¹
- 25 GPIO - 6 (open drain with 10K ohm pull-up to +5 Volts)¹
- 26 GPIO - 7 (open drain with 10K ohm pull-up to +5 Volts)¹

¹ pin to pin connection to Rx GPIO Connector

ORDERING INFORMATION

Product Code PHRXM-ANA



PHABRIX is a registered trademark.

*Specifications and features described herein are subject to change without prior notice. Please consult our website www.phabrix.com for the latest data.

