



2nd RS232 Serial Interface Kit
P/N 80850092
Instruction Manual



99 Washington Street
Melrose, MA 02176
Phone 781-665-1400
Toll Free 1-800-517-8431



1. INTRODUCTION

This RS232 Serial Interface Kit P/N 80850092 provides a second RS232 serial interface for the Adventurer Pro balances. Please read this manual completely before installation and operation.



READ ALL SAFETY WARNINGS BEFORE INSTALLING, MAKING CONNECTIONS, OR SERVICING THE BALANCE. FAILURE TO COMPLY WITH THESE WARNINGS COULD RESULT IN PERSONAL INJURY AND/OR PROPERTY DAMAGE. RETAIN ALL INSTRUCTIONS FOR FUTURE REFERENCE.

1.1 Contents

- RS232 Printed Circuit Board (PCB)
- PCB Cable
- RS232 Cable
- Protective Cone Cover
- Screws (2) to secure the RS232 PCB

2. INSTALLATION

2.1 Safety Precautions

- Disconnect the balance from the mains power supply and remove any installed batteries before beginning installation.
- Internal components, such as the load cell and printed circuit boards (PCB), are delicate and need to be handled with care.
- Do not subject the internal components to static electricity discharge.
- The PCB's should be handled by grasping the edges only and never placing fingers on any of the runs or traces.

2.2 Installation

The Adventurer Pro series comes in different configurations (see Figures 1A-B-C). Disassemble/assemble the balance according to the configuration that matches your model.

Tools required (depending on model): Philips screwdriver or Torx driver T10 & T20.

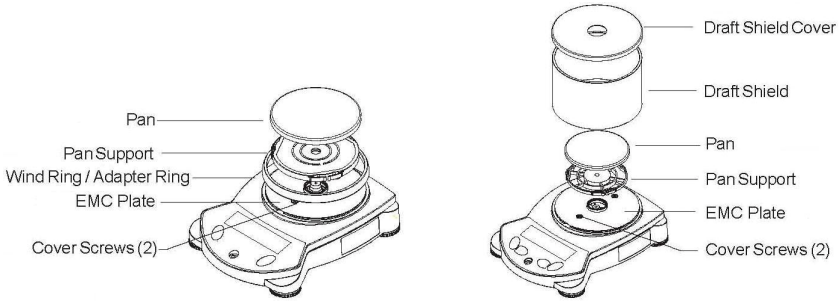


Figure 1A.

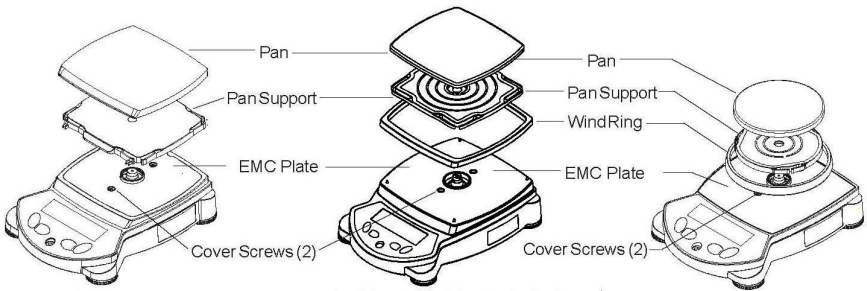


Figure 1B.

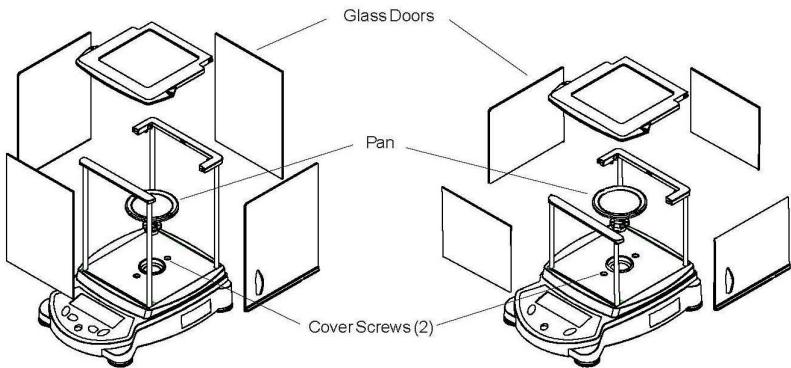


Figure 1C.

1. With power removed from the balance, remove any draft shield or draft shield glass panels, the pan, pan support and any wind ring or adapter ring (sizes and shapes vary) to fully expose the EMC plate on the top of the balance.
2. Remove the 2 screws and the EMC plate.

NOTE: On some models with angular wind rings, be careful not to lose the 4 corner plastic locating pins where the EMC plate slots over. These are marked “F” (front) or “B” (back) with the markings facing inwards (note their positions in case dislodged and needing to be re-installed).

3. Disassemble the top from the bottom housing (depending on model):
 - a) Small frame models: Remove the 4 feet, then remove the 4 screws inside the openings uncovered by the removal of each foot.

NOTE: While removing the feet, avoid resting the balance on its top side (over the load cell cone assembly). If needing to do so, place the protective plastic cone cover from the kit over the load cell cone assembly to minimize risk of damage to the load cell (See Figure 2A).
 - b) Large frame models: Remove the 2 screws (and any grounding clip) on the top of the balance that were exposed by the removal of the EMC plate.

NOTE: If the balance was trade approved, any sealing sticker covering the housing screws will need to be removed. In effect, the balance will have to be re-approved and re-sealed.

4. Carefully lift the top cover from the bottom housing, mindful of the cable connected to the main PCB assembly.
5. Unplug the cable from the main PCB assembly, then set aside the top cover.
6. Remove the 2 screws securing the COM2 cover plate towards the back and right of the bottom housing (See Figure 2B). Discard the cover plate and 2 screws.
7. Mount the 2nd RS232 PCB over the corresponding stands, then secure with the 2 screws provided (See Figure 2C).
8. Connect the PCB cable to a) the 2nd RS232 PCB, and b) to connector CN6 on the main PC board on the front of the balance (see Figure 2D). Route the PCB cable towards the left side of the bottom housing.
9. Re-assemble the balance in the reverse order of the disassembly process, being careful not to pinch any cables within or between the top and bottom housing.

Cone Cover (for small-frame models)

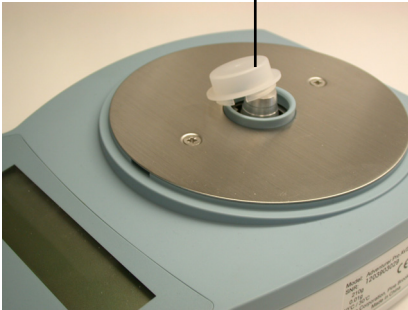


Figure 2A.

COM2 Cover Plate

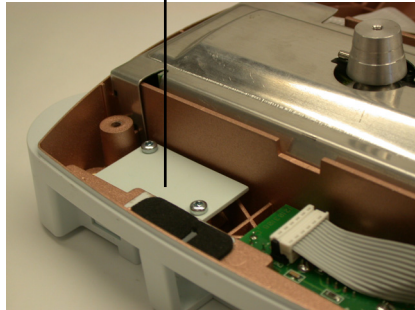


Figure 2B.

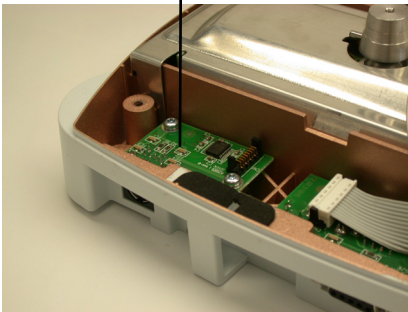
2nd RS232 PCB

Figure 2C.

PCB Cable

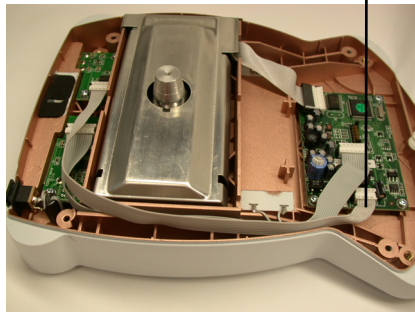


Figure 2D.

3. OPERATION

Refer to the instruction manual supplied with the Adventurer Pro balance. Set up the RS232 communication and printing parameters as described in the RS232-2 and Print-2 submenus (enabled when this kit is installed).

4. MAINTENANCE

4.1 Service Information

For service assistance in the United States, call toll-free 1-800-526-0659 between 8:00 AM and 5:00 PM Eastern Standard Time. An Ohaus Product Service Specialist will be available to assist you. Outside the USA, please visit our website at www.ohaus.com to locate the Ohaus office nearest you.



99 Washington Street
Melrose, MA 02176
Phone 781-665-1400
Toll Free 1-800-517-8431



Visit us at www.TestEquipmentDepot.com