



## PROFESSIONAL THERMAL MONOCULAR

# FLIR Scion™ PTM



Built to equip law enforcement professionals with superior thermal surveillance, the FLIR Scion™ PTM packs high-performance thermal imaging and FLIR TruWITNESS® compatibility into a rugged, IP67-rated handheld monocular. Capable of geotagged video recording and live video transmission, the Scion PTM can instantly stream encrypted thermal footage of any pursuit, evidence recovery, or search and rescue effort to the command center via wireless network. A smooth 60 Hz refresh rate and picture-in-picture zoom capture minute details from a distance and maintain peripheral awareness for constant thermal supervision of suspects, team members, and standbys.



### LIVE ENCRYPTED VIDEO STREAMING

Securely stream real-time thermal video to the command center via networked devices

Pairing the Scion PTM with FLIR's innovative TruWITNESS® platform links powerful thermal imaging with other smart sensors on the ground, in the air, and everywhere in-between, providing enhanced situational awareness and real-time centralized information for public safety agencies.



### RICH USER INTERFACE

The full-featured Scion PTM packs onboard recording, picture-in-picture zoom, and intuitive controls into a rugged thermal optic

Polished internal menus allow rapid switching between six different thermal palettes and provide easy access to advanced features. GPS geotagging, onboard recording, and expandable microSD™ storage offer superb evidence review options while a rugged, IP67-rated housing protects key components in vital situations.



### SUPERIOR THERMAL DETECTION

Sharp, 60 Hz thermal imaging powered by FLIR's breakthrough Boson® thermal core

FLIR outfits law enforcement professionals with tools to counter unseen threats. Able to perform at any time of day, thermal imaging pierces complete darkness, glaring light, and lingering haze to provide superior awareness in difficult conditions. The advanced image processing of FLIR's Boson® thermal core paired with a 60 Hz image refresh rate provide smooth, unwavering vision in challenging environments.

## SPECIFICATIONS

General	Scion PTM166	Scion PTM336	Scion PTM366
Core Technology	BOSON 12 $\mu$ m VOx Microbolometer		
Detector Resolution	640 x 512	320 x 256	640 x 512
Refresh Rate	60 Hz		
Lens System	14 mm	25 mm	
Field of View (H x W)	32° x 24°	9° x 6.5°	18° x 13°
Optical Magnification	.7x	2.6x	1.3x
Digital Zoom	1X   2X   4X   8X	1X   2X   4X	1X   2X   4X   8X
Video Recording	Yes		
Image Capturing	Yes		
Internal Memory	2 GB Internal Storage / Optional microSD™ Card (up to 128 GB)		
Focus	$\infty$	Manual	
Eye Relief	16 mm		
Display	Quad-VGA (1280x960) High definition display		
Display Focus	Manual		
<b>User Interface</b>			
Temperature Imaging Modes (Thermal Palettes)	White Hot; Black Hot; Iron Bow; Rainbow; Graded Fire; Lava		
Viewing Modes	Scouting, Picture-in-Picture, Lock Span Mode		
Picture While Recording (PWR)	Yes		
Real Time Clock (RTC)	Yes		
Date/Time Stamp	Yes		
Auto Power OFF	Yes		
Magnetic Compass	Yes		
Accelerometer	Yes		
NFC (Near Field Communications)	Yes		
<b>Interfacing</b>			
USB Type	USB-C; Power In; Video Out; Video and Image File Transfer		
<b>Power</b>			
Battery Type	6x CR123A 3V Lithium Battery		
Battery Life	Up to 4.5 hours at 20°		

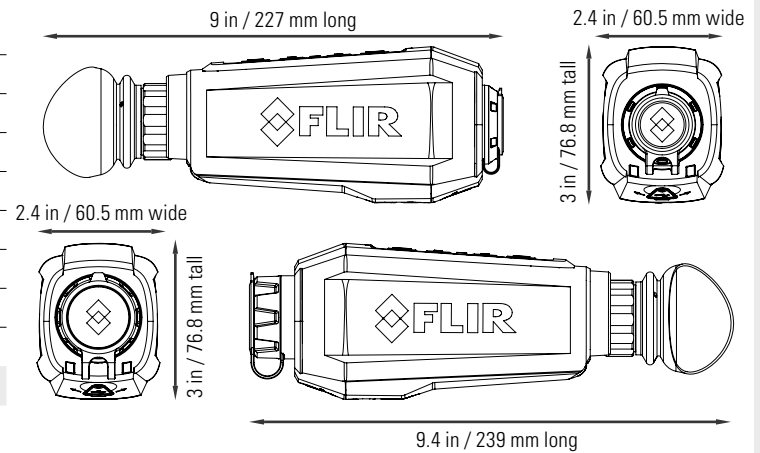
## Scion PTM166

### Communications

NFC (Near Field Communications)	
Bluetooth™	
Wi-Fi	
GPS	No
FLIR TruWITNESS® Integration	

### Physical

Weight	
Size	227 x 76.8 x 60.5 mm (9 x 3 x 2.4 in)
Color (Housing)	Black
Mounting	¼-20 Tripod Mount
Country of Origin	USA
Included in the Box	SCION, Battery tray, 2xCR123, USB cable, Black MOLLE pouch, Quick Start guide



NASDAQ: FLIR

Equipment described herein is subject to US export regulations and may require a license prior to export. Diversion contrary to US law is prohibited. Imagery for illustration purposes only. Specifications are subject to change without notice. ©2019 FLIR Systems, Inc. All rights reserved. 2/21

18-2849-OTS-SCION-PTM



The World's Sixth Sense®