

Gear sensor

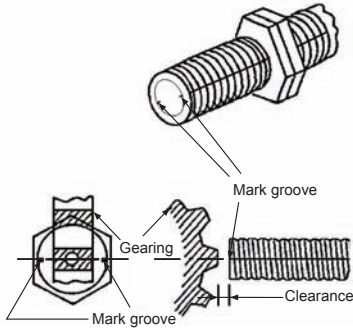
SE-G2

Operation manual

Thank you for purchasing the gear sensor. Please read through the manual to use the product safely.

Model SE-G2 is a solid proximity switch especially designed for gearing sensing. The SE-G2 sensor will provide a square wave signal output and indicate detection via LED indicator on the rear of the unit.

■Installation



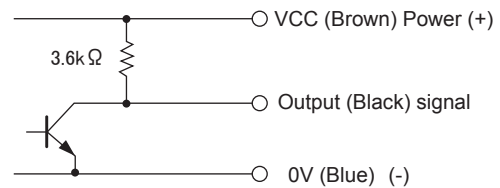
1. Install the sensor and the actuator on the same line.
2. Align the grooves to the tooth of the gear.
3. Please set the clearance less than 1mm between the sensor and the gear tooth.
4. Please keep any other metal material at least 15mm away from the sensor.
5. When the output is Low, the target lamp is less bright, and when it is High, it is brighter.
6. It detects the tooth of the gear.

■Specification

Model	SE-G2
Power supply	DC+8.5 ~ +16V DC
Power consumption	Less than 10mA
Response frequency	0 ~ 8000Hz
Actuator	Module 1.0 to 1.5 Magnetic metal gearing whose tooth width is over 4mm
Output impedance	Voltage output
Out put capacity	DC5 ~ 20V Max.25mA
Target lamp	Yes
Operation temperature	-20 ~ +70°C
Protection	IP-67
Cable	3Wires 1M

■Output diagram

Used RPM : 0 to 8000rpm
 No of teeth : 60 pcs, in case of Module 1.0



■Dimension

