

Weatherproof Connection Housing (S-EXT-CASE2)

Assembly Instructions

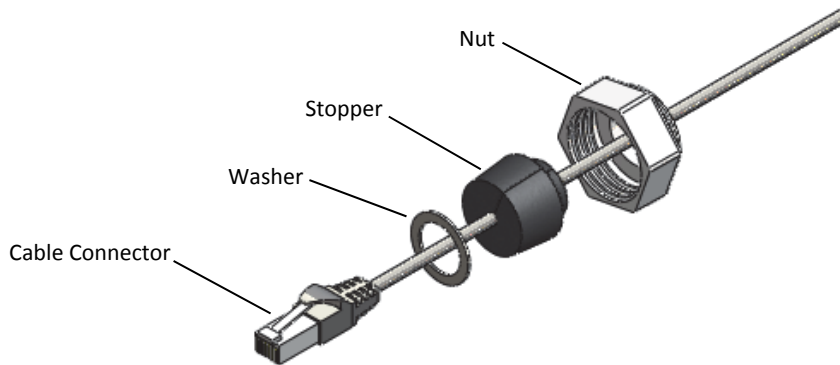


Items included: Housing, 2 nuts, 2 stoppers, 2 washers, and Grip-It lubricant

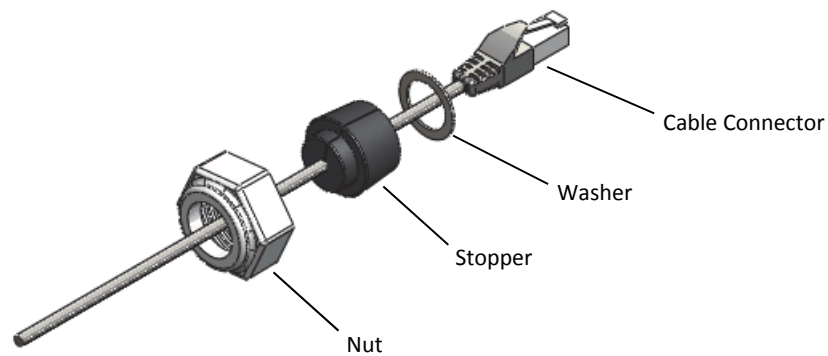
Additional items needed: Extension cables with extension adapter (S-EXT-M0xx)

Follow these steps to connect an extension cable to smart sensor cable using the connection housing. Proper assembly will ensure weatherproof protection for the cable connection for long-term outdoor deployments and short-term immersion in water, such as during flooding in a field from a rainfall event.

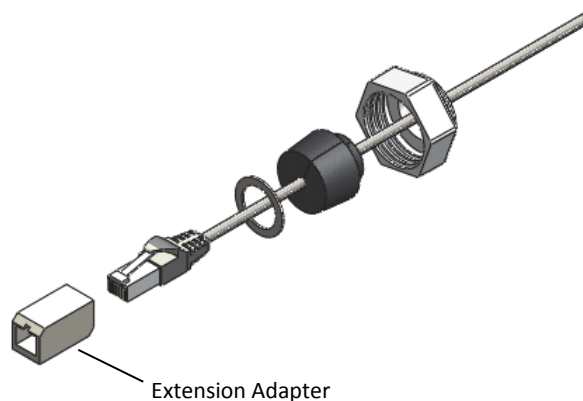
1. Slide one nut over the connector end of one cable in the direction shown below.
2. Spread one stopper at slit over the cable in the direction shown below.
3. Slide one washer over the connector end of the cable.



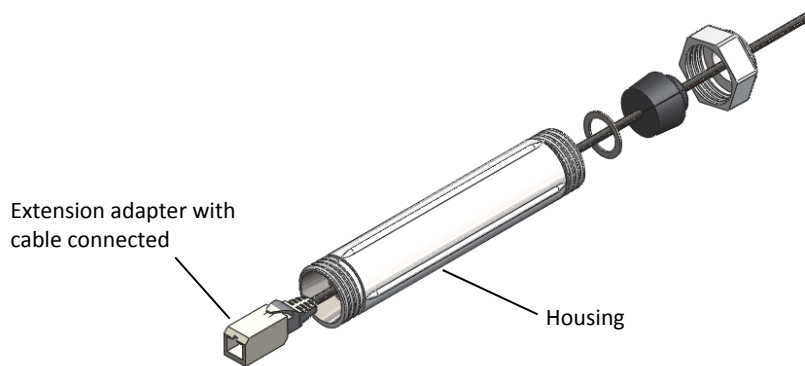
4. Repeat assembly for the second cable being connected in the positions shown below.



5. Plug the cable connector into one end of the extension adapter.

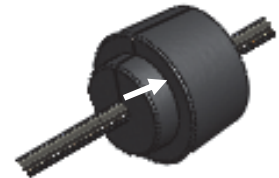


6. Push assembled cable into the housing until the extension adapter is sticking out. There should be plenty of slack in the cable so that the washer, stopper, and nut remain outside the housing.

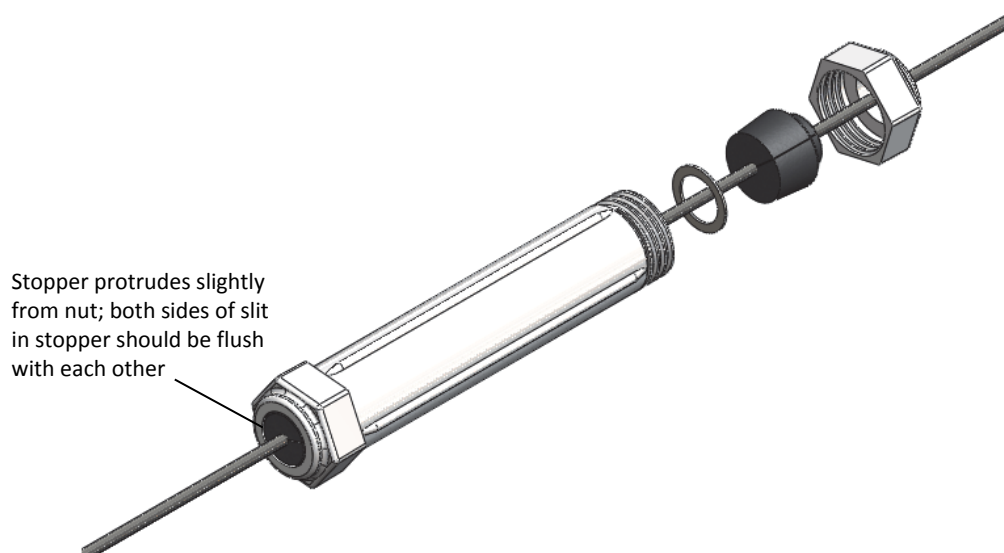


7. Plug the other cable connector into the other end of the extension adapter.
8. Pull the cable so that the extension adapter is in the center of the housing. The washers, stoppers, and nuts on both ends should remain outside the housing.
9. On one end of the assembly, liberally apply the included Grip-It lubricant to the sides of the stopper and the shelf pointed out at right, and to several inches of the cable on either side of the stopper. Slide the stopper up and down the cable to distribute the lubricant on the cable.

Important: DO NOT ATTEMPT TO PUSH THESE PARTS INTO PLACE DRY. The more lubricant applied to the stopper and cable, the easier it will be to position the assembled cable inside the housing. If you do not have Grip-It lubricant, use liquid dishwashing soap (3 parts water to 1 part soap).



10. Push in the washer so that it sits on the shelf inside the housing. Push the stopper into the housing and screw down the nut until it is snug. The rubber stopper should protrude slightly from the nut (about 1/16 inches) and both sides of the stopper slit should be flush with each other (a minor gap at the stopper slit is normal). If the two sides of the stopper slit are not even with each other, undo the nut and apply fresh Grip-It lubricant to the stopper surfaces that contact the nut. Repeat the step until the sides are flush.



11. Repeat steps 9 and 10 on the other end of the assembly.