

Model SG-300 Strobe Guard INSTRUCTION MANUAL



SG-300 shown with DT-311A



SG-300 shown with DT-315A

Congratulations on your purchase of the Shimpo SG-300 Strobe Guard. We trust you will enjoy many years of professional results from your Shimpo product.

Please read the entire instruction manual thoroughly before initial set-up and operation; the information contained herein will aid you in operating your Shimpo Strobe Guard correctly and with excellent results.

If you have any questions regarding our product(s), call your local Shimpo representative or contact Shimpo Instruments directly for assistance.

Inspection

If upon delivery shipping damage is detected, do not install the unit. Notify shipping carrier immediately for damage claim instructions.

Features and Benefits

The SG-300 Stroboscope guard offers many features and benefits including:

- *Reduces costly repairs from dropping and mishandling of stroboscopes*
- *Heavy-duty construction provides impact protection for strobe's controls, flash tubes and lens covers*
- *Easy to install*
- *Zero maintenance*

Safety Precautions

Note: The stroboscope guard, model SG-300, is designed for Shimpo Instruments' stroboscope models DT-311, DT-311A, DT-314, DT-315, DT-315A, DT-315EB or DT-315AEB. Please check your stroboscope instruction manual to ensure that you have the correct model for use with the Strobe Guard.



The stroboscope is not designed for use in hazardous environments where danger of flame or explosion is present.



Ensure that the DT-311, DT-311A, DT-314, DT-315, DT-315A or DT-315AEB stroboscope is removed from any mounting devices before installation or removal of SG-300.



Exercise care when installing and uninstalling the SG-300 strobe guard.



Do not disassemble or repair unit while in operation.



Do not operate or store instrument in the following places: explosive areas; near water, oil, dust, or chemicals; areas where temperature is above 104°F (40°C).

Installation

To attach the front rubber protective casing (figure 1, item A):

1. Use a Philips screwdriver to remove the four screws on the clear plastic front cover of the stroboscope that covers the flash tube.
2. Remove the clear plastic front cover and the metal parabolic reflective lens from the inside of the stroboscope.
3. With a 7-mm socket wrench, remove the four plastic nuts that held the screws from step one.
4. Remove front portion of stroboscope enclosure and insert this portion into the larger rubber protective piece (item A).

NOTE: The two screws located in the rubber piece should be positioned over the top vent holes located on the front portion of the stroboscope.

5. Reinsert the front portion of the stroboscope, ensuring that the two screws on the rubber protective piece are on the same side as the LED display.
6. Reattach the front portion of the stroboscope with the four plastic nuts using a 7-mm socket wrench.
7. Replace the metal parabolic reflective lens of the stroboscope ensuring that it fits properly into the correct position.
8. Replace the clear plastic front cover of the stroboscope and reattach the four screws using a Philips screwdriver.

To attach the back rubber protective casing (figure 1, item B):

1. Run the cord of the stroboscope through the strobe guard; make sure that the metal piece on the guard is facing the front of the stroboscope.
2. Work the guard over the back of the stroboscope. Be sure that the metal piece on the guard is on the same side of the stroboscope as the LED readout.

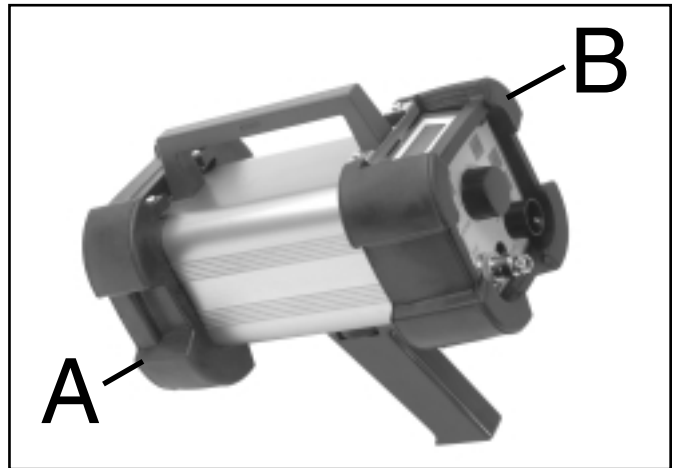


Figure 1 (shown with DT-315A)

Warranty

LIMITED EXPRESS WARRANTY

Shimpo Instruments warrants, to the original purchaser of new products only, that this product shall be free from defects in workmanship and materials under normal use and proper maintenance for one year from the date of original purchase. This warranty shall not be effective if the product has been subject to overload, misuse, negligence, or accident, or if the product has been repaired or altered outside of Shimpo Instruments's authorized control in any respect which in Shimpo Instruments's judgment, adversely affects its condition or operation.

DISCLAIMER OF ALL OTHER WARRANTIES

The foregoing warranty constitutes the SOLE AND EXCLUSIVE WARRANTY, and Shimpo Instruments hereby disclaims all other warranties, expressed, statutory or implied, applicable to the product, including, but not limited to all implied warranties of merchantability and fitness.

LIMITATION OF REMEDY

Under this warranty, Shimpo Instruments' SOLE OBLIGATION SHALL BE TO REPAIR OR REPLACE the defective product or part, at Shimpo Instruments' option. Shimpo Instruments reserves the right to satisfy warranty obligation in full by reimbursing Buyer for all payments made to Shimpo Instruments, whereupon, title shall pass to Shimpo Instruments upon acceptance of return goods. To obtain warranty service, Purchaser must obtain Shimpo Instruments's authorization before returning the product, properly repackaged, freight pre-paid to Shimpo Instruments.

INDEMNIFICATION & LIMITATION OF DAMAGES

Buyer agrees to indemnify and hold Shimpo Instruments harmless from and against all claims and damages imposed upon or incurred arising, directly or indirectly, from Buyer's failure to perform or satisfy any of the terms described herein. In no event shall Shimpo Instruments be liable for injuries of any nature involving the product, including incidental or consequential damages to person or property, any economic loss or loss of use.

MERGER CLAUSE

Any statements made by the Seller's representative do not constitute warranties except to the extent that they also appear in writing. This writing constitutes the entire and final expression of the parties' agreement.