



# STARTER™ 2200

pH Benchtop Meter



## ***Affordable Benchtop pH Meter for Basic Laboratory Applications***

Designed with a clear, user-friendly interface and the ability to store up to 99 items in its internal memory, the Starter™ 2200 pH benchtop meter is a reliable and efficient addition to basic laboratories or science classrooms. An affordable and intuitive pH measurement instrument, the Starter™ 2200 pH benchtop meter also features auto-buffer recognition & auto-endpoint modes that make measurement and calibration simple, straightforward and efficient.

### ***Unique Features:***

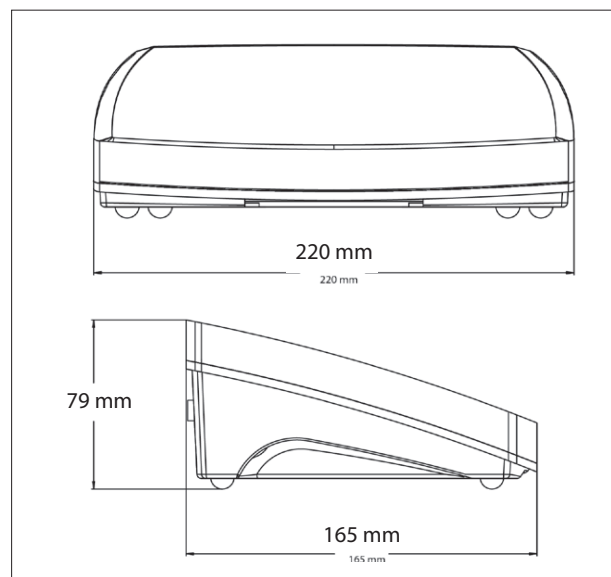
- A user-friendly bench meter which clearly displays critical information and the five distinctly marked keys allows users to operate the instrument with minimal training.
- Auto buffer recognition and auto-endpoint mode make calibration and measurement simple and ideal for routine pH measurement.
- The built-in electrode holder provides straightforward and convenient all-in-one operation, while the attached quick guide clearly explains the operating steps.

# STARTER™ 2200 pH Benchtop Meter

## Specifications

Model		ST2200
pH	Measuring Range	0.00 to 14.00 pH
	Resolution	0.01 pH
	Selectable Resolution	No
	Accuracy	± 0.01 pH
	Pre-Defined Buffer Groups	1
ORP, Redox	Measuring Range	± 1999 mV
	Resolution	1 mV
	Accuracy	± 1.5 mV
	Units	mV
Temperature	Measuring Range	0.0 to 100.0 °C, 32.0 °F to 212.0 °F
		Resolution
	Accuracy	± 0.5 °C, ±0.5 °F
	Calibration	No
Calibration	Calibration points	1 to 3 points
	Calibration Sign	Face Sign
	Calibration mode	Linear
Meter Specifications	Display Type	3.5" segment LCD with backlight
	Measurement End-point Modes	Auto-stop, Continuous
	Datalog for measurement	99 sets
	Datalog for calibration	Last calibration
	Keypad	Membrane
	pH electrode input	BNC
	Temperature input	Cinch, NTC 30 kΩ
	Installation Overvoltage	Category II
	Pollution	Degree 2
	Power Supply	Universal, 100-240 VAC, 50-60 Hz
	Ambient Operating	5 to 40 °C, 5 to 80 %, non-condensing
	Warranty	1 year

## Outline Dimensions



## Packages Available in two configurations

a-ST2200-B
- a-ST2200 Benchtop Meter - Built-In Electrode Holder
a-ST2200-F
- a-ST2200-B Content - ST322 pH Electrode - pH Buffer Mini Kits (4 x 50mL)

## Other Features and Equipment

- **Application:** pH, oxidation-reduction potential (ORP) with Temperature Measurements
- **Display:** 3.5" segment LCD with backlight
- **Operation:** AC adapter (included)
- **Construction:** ABS housing, mechanical keys, Built-in electrode holder
- **Design Features:** Auto buffer recognition, three point calibration, electrode condition icon

## Compliance

- **Product Safety:** IEC/EN 61010-1
- **Electromagnetic Safety:** IEC/EN 61326-1 Class B, basic environments; FCC Part 15 Class A; Canada ICES-003 Class A
- **Compliance Marks:** C E, RCM
- **Others:** WEEE, RoHS

## Accessories

Stirrer Compact AS20 ..... 30661425

Item #	Solutions
30100424	Buffer pH 1.68 250 mL
30100425	Buffer pH 4.01 250 mL
30100426	Buffer pH 6.86 250 mL
30100427	Buffer pH 7.00 250 mL
30100428	Buffer pH 9.18 250 mL
30100429	Buffer pH 10.01 250 mL
30100440	Buffer pH 12.45 250 mL
30059255	Reference Electrolyte (3M KCl Solution Saturated AgCl, 30 mL)
30059256	pH Electrode Protection Solution (3M KCl, 125 mL)

Item #	Electrodes
30681113	ST322 pH Electrode

80776670\_B 20231207 © Copyright OHAUS Corporation

**OHAUS Asia/Pacific Headquarters**

e-mail: APmarketing@ohaus.com  
Tel: +86 21 64855408

The management system governing the manufacture of this product is ISO 9001:2015 certified.

