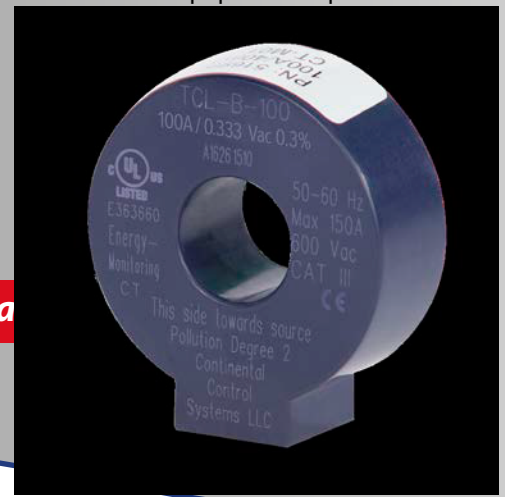


SOLID-CORE CURRENT TRANSFORMERS

Revenue-Grade Accuracy, (0.3%), 50 or 100 Amps/0.333 Vac

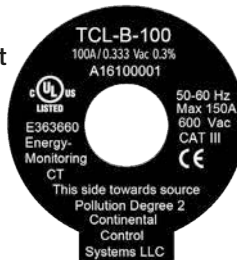


Overview

The TCL-B solid-core current transformer provides revenue-grade accuracy for use with ANSI C12-class meters with a safe, low-voltage (0.333 Vac) output at full load. The solid-core defines how the CT is designed, and how it is installed.

Features

- 50 or 100 amps at full load, 0.333 Vac output
- Revenue-grade, 0.3% accuracy
- Solid-core design, compact, low cost
- 0.50 inch (13mm) opening
- UL listed, CE, RoHS compliant



Specifications

- **Accuracy:** $\pm 0.3\%$ from 1% to 120% of rated primary current
- **Primary Rated Amps:** 50 or 100 amps/0.333 Vac
- **Maximum Primary Current:** 250 amps
- **Accuracy Class:** IEEE / ANSI C57.13 class 0.6
- **CE Accuracy:** IEC 60044-1 class 0.5S
- **CE Safety:** CE
- **RoHS Compliant**
- **UL USA:** UL listed, XOBA, UL 2808
- **Standard Lead Length:** 8 ft. (2.4 meters), 18 AWG PVC, 105°C, 600 V
- **Phase Angle:** ± 0.15 degrees (9 minutes) from 20% to 120% of rated current; ± 0.33 degrees (20 minutes) from 1% to 20% of rated current
- **Operating Temperature:** -40°C to 85°C (-40°F to 185°F)
- **Line Frequency:** 50/60 Hz
- **Approx. Weight:** 117 grams
- **Serialized certificate of calibration provided**

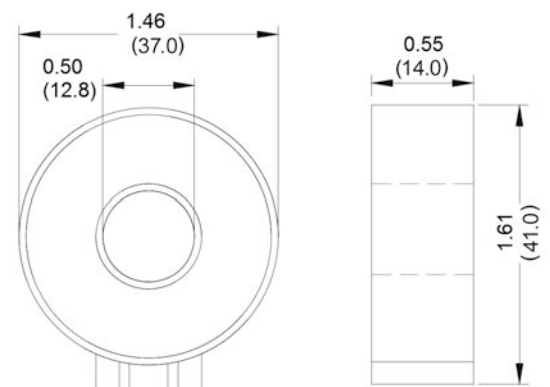
Models

Model Number	Rated Amps
TCL-B-50	50
TCL-B-100	100

⚠ WARNING

This product can expose you to chemicals including Diisononyl Phthalate (DINP), which is known to the State of California to cause cancer. For more information go to: www.P65Warnings.ca.gov

Dimensions



Dimensions in inches (mm)

Performance

