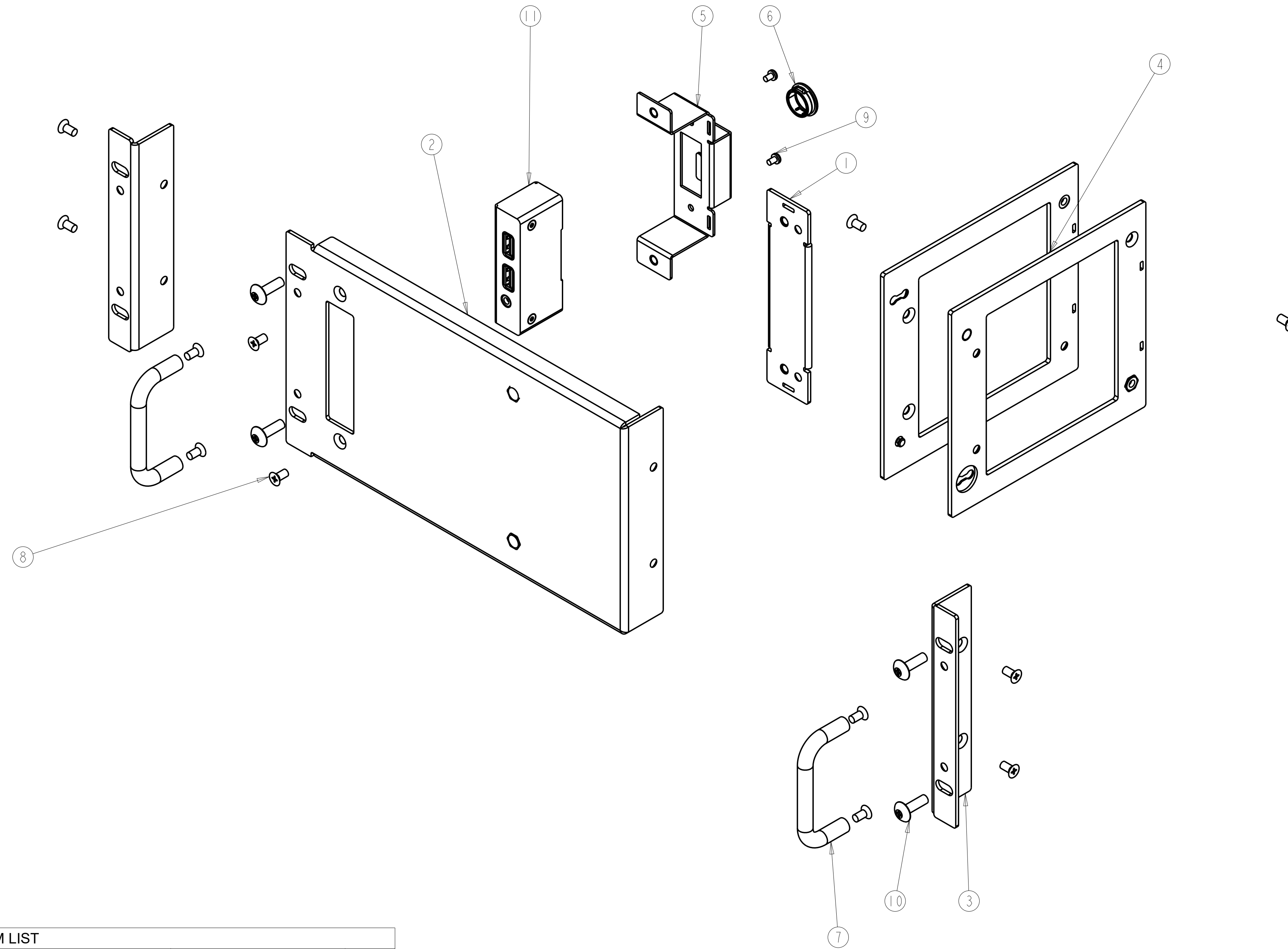


MPS-RACK



ITEM LIST			
ITEM	NAME	PART NUMBER	QTY
* 1	BRACKET, SUPPORT, FILLER PANEL, RACK-EAR, 3U, MPS	P00010332	1
* 2	BRACKET, SUPPORT, RACK-EAR, 3U, LONG, CABLE, MPS	P00010135	1
* 3	BRACKET, SUPPORT, RACK-EAR, 3U, SHORT, MPS	P00010134	2
* 4	BRACKET, SUPPORT, RACK, MID, 2X, MPS	P00010255	2
* 5	BRACKET, SUPPORT, USB HOUSING MOUNT, RACK, MPS	P00010251	1
* 6	HARDWARE, MECH, BUSHING, 12.2 MM, CABLE, MPS	P00010252	1
* 7	HARDWARE, MECHANICAL, HANDLE, 3U, RACK	P00010331	2
* 8	SCREW, FH, M4 X 8, PHILLIPS, BLACK	P00010225	14
* 9	SCREW, PH, 4-40 X .187, T10	211111700	2
* 10	SCREW, TH, 10-32 X .625, PHILLIPS, BLACK	P00010226	4
* 11	SUBASSEMBLY, RACK-EAR USB CABLE AND HOUSING, MPI	P00010253	1

* THESE COMPONENTS ARE PREASSEMBLED