



# TF sensors

## Flexible TF current sensors

used with DIRIS Digiware, DIRIS A-40 and DIRIS B

Current sensors



TF Flexible current sensors

diris\_t\_077.eps

### The solution for

- > Industrial processes
- > Building
- > Infrastructure
- > Data centers



### Strong points

- > Plug & Play
- > Accuracy according to IEC 61557-12
- > Ideal solution for retrofit applications
- > Simplified installation

### Integrated technologies



### Compliance with standards

- > UL 61010 Guide FTRZ File E257746



- > IEC 61557-12



- > ISO 14025



### Create your project



### Function

TF flexible **current sensors** measure the load currents of an electrical circuit and send the data to meters and Power Monitoring Devices or current modules via an RJ12 plug-and-play connection. With a wide measurement range, TF current sensors cover a broad current range from 150 to 6000 A, with only 5 references. TF flexible current sensors can be used with DIRIS Digiware I modules, DIRIS A-40 and DIRIS B.

### Advantages

#### Plug & Play

- A rapid RJ12 connection makes wiring easy and reliable and prevents wiring errors. This also allows automatic detection of the sensor type and rating.
- The sensors can be installed in both directions.

#### Accuracy according to IEC 61557-12

- Class 0.5 for the global measuring chain (PMD + TF current sensors) from 2 to 120% of the nominal current  $I_n$ .
- Accuracy is guaranteed regardless of the position of the conductor in the loop.

#### Safe locking mechanism

- The locking system prevents the loop from opening, guaranteeing continuous functioning and accuracy even under harsh conditions.

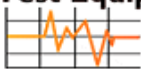
#### Ideal solution for retrofit applications

- The TF flexible sensor range is specially designed for existing installations with strict integration constraints or with high-intensity currents.

#### Simplified installation

- The Rogowski integrator is directly integrated to the RJ12 cable enabling a quick and compact integration (no DIN rail assembly required) inside electrical panels.
- The integrator is self supplied by the PMD through the RJ12 cable and does not need any external power supply.

**Test Equipment Depot**



1-800-517-8431

99 Washington Street  
Melrose, MA 02176  
Phone 781-665-1400  
Toll Free 1-800-517-8431

Visit us at [www.TestEquipmentDepot.com](http://www.TestEquipmentDepot.com)

**socomec**  
Innovative Power Solutions

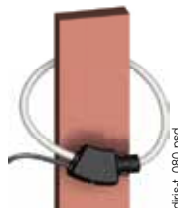
**Installation**

Cable mounting



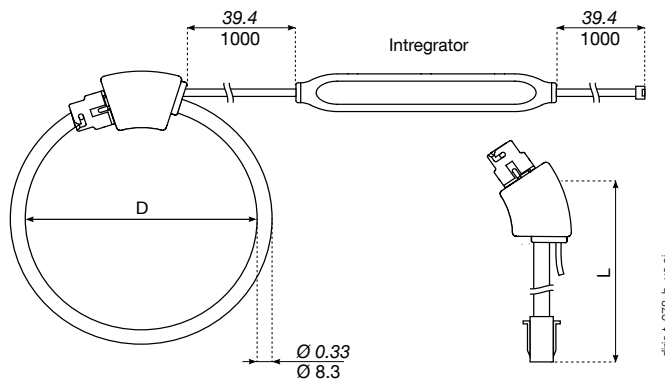
diris-t\_079.psd

Bar mounting



diris-t\_080.psd

**Dimensions (in / mm)**



diris-t\_078\_b\_us.ai

Model	Nominal current range (A)	Real range covered (A)	D = Ø loop (mm)	L = Loop length (mm)
TF-55	150 ... 600	3 ... 720	55	173
TF-80	150 ... 600	3 ... 720	80	251
TF-120	400 ... 2000	8 ... 2400	120	377
TF-200	600 ... 4000	12 ... 4800	200	628
TF-300	1600 ... 6000	32 ... 7200	300	942
TF-600	1600 ... 6000	32 ... 7200	600	1885

Integrator dimensions: 128 x 19 x 15 mm

**Technical characteristics**

Model	TF-55	TF-80	TF-120	TF-200	TF-300	TF-600
Nominal current range I <sub>n</sub> (A)	150 ... 600	150 ... 600	400 ... 2000	600 ... 4000	1600 ... 6000	1600 ... 6000
Real range covered (A)	3 ... 720	3 ... 720	8 ... 2400	12 ... 4800	32 ... 7200	32 ... 7200
Weight (g)	114	130	142	164	193	274
Max. voltage (phase/neutral)	600 V					
Rated withstand voltage	3.6 kV					
Accuracy class	0.5 in association with DIRIS Digiware I, DIRIS A-40, DIRIS B based on IEC 61557-12					
Frequency	50 / 60 Hz					
Intermittent overload	10 x I <sub>n</sub> for 1 s					
Measurement category	CAT III					
Protection degree	IP30 / IK07					
Operating temperature	-10 to +70°C					
Storage temperature	-25 to +85°C					
Relative humidity	95% RH non-condensing					
Altitude	< 2000 m					
Connection	Socomec cable or equivalent RJ12 straight, twisted pair, unshielded, 600 V, -10 ... +70 °C					

**References**

Model	Nominal current range (A)	Real range covered (A)	D = Ø loop (mm)	L = Loop length (mm)	Reference
TF-55	150 ... 600	3 ... 720	55	173	4829 0570
TF-80	150 ... 600	3 ... 720	80	251	4829 0574
TF-120	400 ... 2000	8 ... 2400	120	377	4829 0575
TF-200	600 ... 4000	12 ... 4800	200	628	4829 0576
TF-300	1600 ... 6000	32 ... 7200	300	942	4829 0577
TF-600	1600 ... 6000	32 ... 7200	600	1885	4829 0578

Accessories	Reference
Female/female connector for extension of the RJ12 connection between PMD and TF sensor.	4829 0670

RJ12 connection cables	Cable length (ft / m)								164.04 ft / 50 m reel + 100 connectors
	0.32 / 0.1	0.65 / 0.2	0.98 / 0.3	1.64 / 0.5	3.28 / 1	6.56 / 2	16.40 / 5	32.80 / 10	
Number of cables	Reference	Reference	Reference	Reference	Reference	Reference	Reference	Reference	Reference
1									
3	4829 0580	4829 0581	4829 0582	4829 0595	4829 0583	4829 0584			4829 0601
4				4829 0596	4829 0588	4829 0589			
6	4829 0590	4829 0591	4829 0592	4829 0597	4829 0593	4829 0594			