

## Veris Pulse Output kWh Transducer (Three CTs) Connection Instructions

For use with HOBOb® H21, H22, U30, UX120, MX1104, MX1105, and RX3000 data loggers, and HOBOb ZW data nodes

### Applies to this Veris Pulse Output kWh Transducer:

Onset Part No.	Configuration / VAC	Output	Maximum Pulse Output	Veris Part No.
T-VER-8053-800	3-phase 208-480 and single-phase 120-277	Pulses representing kWh	50 Hz	H8053-0800-3

## ⚠ **DANGER!**—HIGH VOLTAGE HAZARD ⚡

Installing transducer in an energized electrical enclosure or on any energized conductor can result in severe injury or death. This transducer is for installation by qualified personnel only. To avoid electrical shock, do not perform any installation or servicing of this transducer unless you are qualified to do so. Disconnect and lock-out all power sources during installation and servicing. Please read transducer user's manual for instructions and use.

This document provides instructions on connecting the Veris Pulse Output kWh Transducer listed above HOBOb H21, H22, U30, UX120, and RX3000 series data loggers and to HOBOb ZW series data nodes.

**Note:** For information on connecting the transducer to the power source and other transducer details, refer to the documentation provided by Veris.

### Required

- Veris Pulse Output kWh Transducer listed above
- HOBOb H21, H22, U30, UX120, MX1104, MX1105, or RX3000 series data logger, or HOBOb data node (ZW series)
- Pulse Input Adapter S-UCC-M00x (for H21, H22, U30, and RX3000 series) or RXW-UCC-xxx (for RX3000)
- 22 AWG twisted pair wire (customer supplied) for UX120 series
- Adapter cable CABLE-2.5-STEREO (for MX1104, MX1105, or ZW series) or SD-VOLT-2.5 (for MX1104 or MX1105)
- HOBObware® software, version 2.2.1 or higher for H21, H22, or U12; 2.4.0 or higher for U30 series; 3.2.0 or higher for UX120 series); HOBObware Pro 3.0 or higher for ZW series
- HOBObmobile for MX1104 and MX1105
- HOBOblink for RX3000 series data loggers



**Veris Pulse Output kWh Transducer**

### Configuring the System

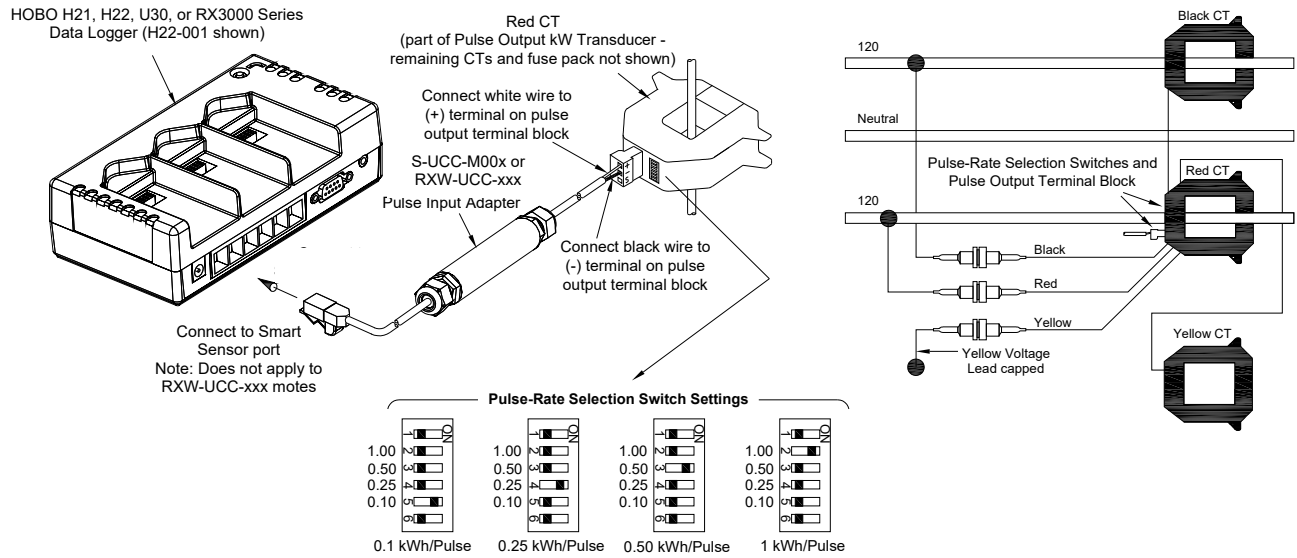
See the following pages for applicable connection diagram that corresponds to your electrical power configuration.

### Data Interpretation

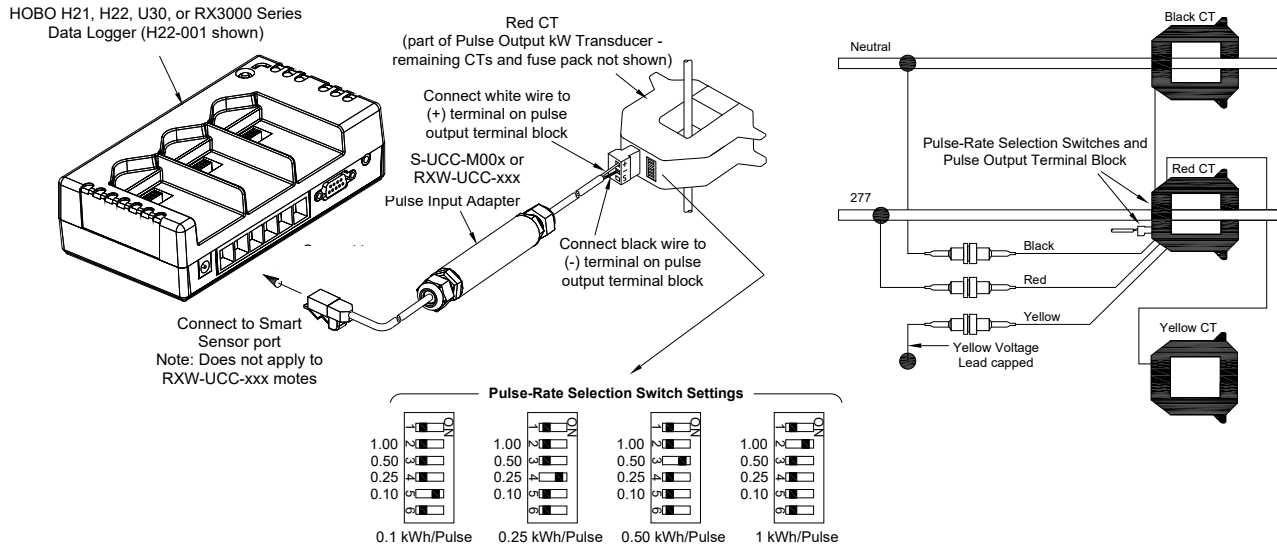
The consumed energy in kilowatt-hours (kWh) per pulse is selected on the Veris transducer. The data recorded in the logger or data node will be number of counts (pulses) per logging interval. For conversion to other units, the data must be exported from HOBOb software (refer to the software documentation for details on exporting or sharing data).

## Veris Pulse Output kWh Transducer (Three CTs) Connection Instructions

### H21, H22, U30, and RX3000 Typical 120 or 240 VAC Single-Phase Three-Wire Connection

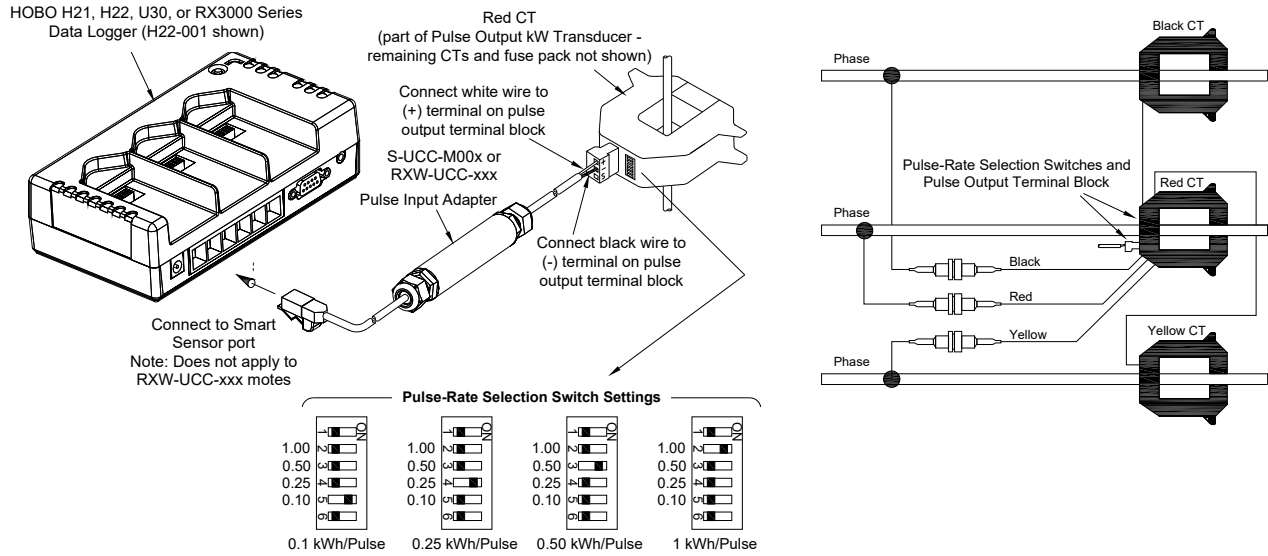


### H21, H22, U30, and RX3000 Typical 277 VAC Single-Phase Two-Wire Connection



## Veris Pulse Output kWh Transducer (Three CTs) Connection Instructions

### H21, H22, U30, and RX3000 Typical 208 or 480 VAC Three-Phase Three/Four-Wire Connection



### UX120, MX1104, MX1105, and ZW Connection

(also refer to the appropriate CT wiring diagram in the H21/H22/U30/RX3000 connection section for your particular electrical power configuration)

