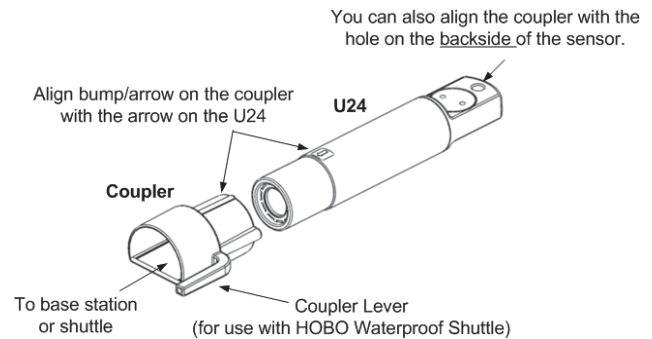


## HOBO® U24 Conductivity Logger (U24-001 and U24-002-C) Quick Start

**IMPORTANT:** This logger can be damaged by shock. Always handle the logger with care. The logger may be damaged if it is dropped. Use proper packaging when transporting or shipping the logger. Do not attempt to open the logger case or sensor housing. Disassembling of the logger case or sensor housing will cause serious damage to the sensor and logger electronics. There are no user-serviceable parts inside the case.

- 1 Open HOBOWare® Pro software.
- 2 Attach the USB Optic Base Station (BASE-U-4) or HOBO Waterproof Shuttle (U-DTW-1) to a USB port on the computer

- 3 Attach the coupler (COUPLER2-C) to the base station or shuttle, then insert the logger into the coupler aligning the bump/arrow on the coupler with the arrow on the logger as shown. Be sure it is properly seated in the coupler. If you are using the HOBO Waterproof Shuttle, make sure it is connected to the USB port on the computer and briefly press the coupler lever to put the shuttle into base station mode. It may take a few seconds for new hardware to be detected by the computer.



- 4 From the Device menu in HOBOWare, select Launch. Select the correct range for the deployment. The logger will not record readings outside the extended range selected. If in doubt on the range needed for your deployment or for environments with wide fluctuations, select both ranges. This will shorten the deployment duration from 18,500 samples to 14,400 samples per parameter. Select any other launch settings and click Start. Logging will begin based on the settings you selected.

- 5 Deploy the logger and follow these guidelines.

**IMPORTANT:** Take temperature and conductivity calibration readings with a portable conductivity meter at both the beginning and end of a deployment. These readings are necessary for data calibration and to compensate for any measurement drift during deployment. The readings should be the *actual conductivity* without temperature compensation (*not* in specific conductance at 25°C) recorded in a notebook with the time and location of the reading. Use these readings in the HOBOWare Conductivity Assistant to calibrate the readings for the corresponding data series offloaded from the logger. For details on the three methods for obtaining accurate calibration readings, see the full manual referenced at the bottom of this page.

- Make sure the logger is located where it will receive a steady flow of the water that is being monitored. When deploying the logger in rivers, streams, and ponds, insert the logger in a PVC or ABS pipe if possible. The PVC pipe should have enough holes to ensure good circulation of water.
- To avoid bubbles collecting on the sensor, make sure the sensor face is vertical and avoid sudden temperature changes. Avoid deploying the logger in freezing water with moving ice.
- Do not place any conductive materials or metals within 2.5 cm (1 in.) of the sensor.
- Use the included cap to protect the communications window in the logger from fouling and abrasion. Place the protective cap over the communications window before deploying the logger.
- Use the U2X Protective Housing (HOUSING-U2X) for added protection to the logger in harsh environments.

- 6 To read out the logger, measure the actual conductivity and temperature values with the field meter using one of the calibration methods. Remove the logger from the water. Follow steps 1–3 and select Read Out from the Device menu in HOBOWare or use the Waterproof Shuttle. Refer to the HOBOWare Help for complete details on reading out and viewing data.

*For more information about the U24-001 logger, refer to the product manual.*

*For more information about the U24-002-c logger, refer to the product manual.*