

# Keysight Technologies

## U2741A USB Modular Digital Multimeter

Data Sheet



## Features

- Measures up to 10 different measurements including frequency and temperature
- Fast measurements up to 100 readings/s
- Wide voltage measurement range (DC from 1  $\mu$ VDC to 300 VDC, AC from 1  $\mu$ Vrms to 250 Vrms)
- Wide current measurement range (DC from 1  $\mu$ ADC to 2 ADC, AC from 1  $\mu$ Arms to 2 Arms)
- Hi-Speed USB 2.0 connectivity
- Dual-play operation: standalone and modular capability
- Bundled with easy-to-use Keysight Measurement Manager (KMM) software
- NEW! Control, automate and simplify with Keysight BenchVue software
- Compatible with a wide range of Keysight Development Environments (KDEs)

## Put a Bench in Your Bag

The next time you're called out to solve tough problems in electronic products or processes, leave the bulky transit cases behind. With Keysight Technologies, Inc.'s USB modular instrument (MI) family, you can easily carry powerful test gear in your bag along with your laptop PC.

Our line of MIs includes two oscilloscopes, a DMM, a function generator with arbitrary waveform capability, a source/measure unit and a 4x8 switch matrix. All provide USB 2.0 connectivity (with USBTMC-USB488) standard and plug-and-play simplicity for easy use on the go or on the bench.

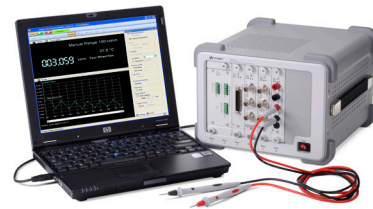


## Keysight U2741A USB Modular Digital Multimeter (DMM)

The U2741A is a 5.5-digit DMM the size of a typical novel, and flexibly operates as a standalone unit or as a modular unit in the U2781A USB modular product chassis.



U2741A used as a standalone instrument



U2741A used as a modular instrument



Keysight U2700A series USB Modular Instruments won Design News' Golden Mousetrap Award in the 2009 Best Products Category. Design News' Awards Program highlights engineering innovation and product design creativity, and honors the best designs of the past year.

## Control, Automate and Simplify with BenchVue – No Programming Needed

Keysight BenchVue software for the PC eliminates many of the issues around bench testing. By making it simple to connect, control instruments, and automate test sequences, you can quickly move past the test development phase and access results faster than ever before with just a few clicks. Dedicated instrument apps allow you to quickly configure the most commonly used measurements and setups for each instrument family. Rapidly build custom test sequences with the integrated Test Flow app to automate and visualize test results without the need for instrument programming. BenchVue supports hundreds of Keysight instrument types and models all from one easy to use application. Control, Automate, Simplify with BenchVue.

## Product Characteristics and General Specifications

### Remote Interface

- Hi-Speed USB 2.0\*
- USBTMC-USB488<sup>1</sup>

### Power Consumption

- +12 VDC, 2 A maximum
- Isolated ELV supply source

### Operating Environment

- Operating temperature from 18°C to +28°C
- Relative humidity at 50% RH (non-condensing)
- Altitude up to 2000 meters
- Pollution Degree 2
- For indoor use only

### Storage Compliance

- Storage temperature from -20°C to 70°C
- Relative humidity at 5% to 90% RH (non-condensing)

### Safety Compliance

Certified with:

- IEC 61010-1:2001/EN 61010-1:2001 (2nd Edition)
- USA: ANSI/UL 61010-1:2004
- Canada: CSA C22.2 No.61010-1:2004

### EMC Compliance

- IEC 61326-1:2002/EN 61326-1:1997+A2:2001+A3:2003
- Canada: ICES-001:2004
- Australia/New Zealand: AS/NZS CISPR 11:2004

### Measurement Compliance

CAT II 300 V Over-voltage protection

### Common Mode Rejection Ratio (CMRR)

- DC CMRR > 120 dB with 1k unbalanced load
- AC CMRR > 70 dB at 50/60 Hz  $\pm 0.1\%$  with 1k unbalanced load

### Normal Mode Rejection Ratio (NMRR)

- > 60 dB at 50/60 Hz  $\pm 0.1\%$ <sup>2</sup>
- > 0 dB at 50/60 Hz  $\pm 0.1\%$ <sup>3</sup>

### Shock and Vibration

Tested to IEC/EN 60068-2

### IO Connection

Four banana socket terminals

### Dimension (W × D × H)

Module dimension:

- 117.00 mm × 180.00 mm × 41.00 mm (with bumpers)
- 105.00 mm × 175.00 mm × 11.50 mm (without bumpers)

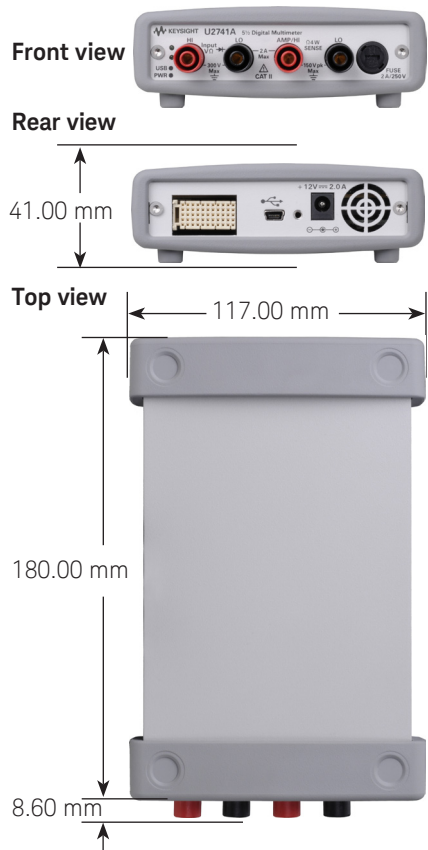
### Weight

- 509 g (with bumpers)
- 451 g (without bumpers)

### Calibration

Calibration interval of one year is highly recommended

## Product outlook and dimensions



## Standard shipped accessories

- 12 V, 2 A AC/DC Power adapter
- Power cord
- Standard test lead set
- USB Standard-A to Mini-B interface cable
- L-Mount kit (used with modular product chassis)
- Keysight USB Modular Products Quick Start Guide
- Keysight Measurement Manager Quick Reference Card
- Keysight USB Modular Products Reference CD-ROM
- Keysight Automation-Ready CD-ROM (contains the Keysight IO Libraries Suite)
- Certificate of Calibration

## Optional accessories

- E2308A Thermistor temperature probe
- USB Secure 2-m cable

1. Compatible with Microsoft Windows operating systems only. Requires a direct USB connection to the PC so the appropriate driver can be installed in the USB modular instrument.
2. Applicable for NPLC > 1.
3. Applicable for NPLC 0.2 and 0.02.

## Product Specifications

### DC specifications <sup>1</sup>

Function	Range	Input impedance	Test current/ Burden voltage, Shunt resistance	Accuracy ±(% of reading + % of range)	Temperature coefficient 0°C to 18°C 28°C to 55°C
Voltage <sup>2</sup>	100.000 mV	10 MΩ	-	0.015 + 0.008	0.002 + 0.0008
	1.00000 V	10 MΩ	-	0.015 + 0.005	0.001 + 0.0005
	10.0000 V	10 MΩ	-	0.018 + 0.005	0.002 + 0.0005
	100.000 V	10 MΩ	-	0.018 + 0.005	0.002 + 0.0005
	300.000 V	10 MΩ	-	0.018 + 0.005	0.002 + 0.0005
Current <sup>3</sup>	10.0000 mA	-	< 0.2 V, 10 Ω	0.06 + 0.015	0.005 + 0.0025
	100.000 mA	-	< 0.2 V, 1 Ω	0.06 + 0.005	0.008 + 0.002
	1.0000 A	-	< 0.3 V, 0.1 Ω	0.15 + 0.007	0.005 + 0.002
	2.0000 A	-	< 0.8 V, 0.1 Ω	0.15 + 0.007	0.005 + 0.002
Resistance <sup>4</sup>	100.000 Ω	-	1.0 mA	0.03 + 0.008	0.006 + 0.0008
	1.00000 kΩ	-	1.0 mA	0.03 + 0.005	0.006 + 0.0005
	10.0000 kΩ	-	100 μA	0.03 + 0.005	0.006 + 0.0005
	100.000 kΩ	-	10.0 μA	0.03 + 0.005	0.006 + 0.0005
	1.00000 MΩ	-	1 μA	0.06 + 0.005	0.01 + 0.0005
	10.0000 MΩ	-	225 nA	0.25 + 0.005	0.025 + 0.0005
	100.000 MΩ	-	225 nA    10 MΩ	2.0 + 0.005	0.3 + 0.0005
Diode test <sup>5</sup>	1.0000 V	-	1.00 mA	0.015 + 0.03	0.005 + 0.0005
Continuity test <sup>6</sup>	1.0000 kΩ	-	1.00 mA	0.05 + 0.03	0.005 + 0.0005

- Specifications are based on 30 minutes warm-up time, NPLC 20 resolution, calibration temperature within 18°C to 28°C, and Null function enabled. For NPLC 0 and 0.025, add 0.01% of range.
- 120% over range on all ranges except 300 VDC. Input protection up to 300 VDC.
- Input protected with externally accessible 2 A, 250 V fast blown fuse.
- Specifications are applicable with Null function enabled. Otherwise, add 0.2 Ω additional error. Input protection up to 300 VDC. Specifications apply for NPLC ≥ 1.
- Specifications are for the voltage measured at the input terminals only.
- Continuity threshold is fixed at less than 10 Ω.

## AC accuracy for voltage<sup>1</sup>

### AC specifications

Function	Range	Accuracy input $\pm$ (% of reading + % of range)			
		Frequency (Hz)			
		20 ~ 45	45 ~ 10k	10k ~ 30k	30k ~ 100k <sup>3</sup>
Voltage <sup>2</sup>	100.000 mVrms	1 + 0.1	0.2 + 0.1	1.5 + 0.3	5.0 + 0.3
	1.00000 V	1 + 0.1	0.2 + 0.1	1.0 + 0.1	3.0 + 0.2
	10.0000 V	1 + 0.1	0.3 + 0.1	1.0 + 0.1	3.0 + 0.2
	100.000 V	1 + 0.1	0.3 + 0.1	1.0 + 0.1	3.0 + 0.2
	250.000 V <sup>4</sup>	1 + 0.1	0.3 + 0.1	1.0 + 0.1	3.0 + 0.2

Function	Range	Frequency (Hz)			
		(% of reading + % of range)			
		20 ~ 45	45 ~ 10k	10k ~ 30k	30k ~ 100k
Temperature coefficient	100.000 mVrms				
	1.00000 V				
	10.0000 V	0.02 + 0.02	0.02 + 0.02	0.05 + 0.02	0.1 + 0.02
	100.000 V				
	250.000 V				

Function	Range	Burden voltage, Current shunt resistance	Accuracy input $\pm$ (% of reading + % of range)		
			Frequency (Hz)		
			20 ~ 45	45 ~ 1k	1k ~ 10k
Current <sup>5</sup>	10.0000 mA	< 0.2 V, 10 $\Omega$	1.5 + 0.1	0.5 + 0.1	2 + 0.2
	100.000 mA	< 0.2 V, 1 $\Omega$	1.5 + 0.1	0.5 + 0.1	2 + 0.2
	1.00000 A	< 0.3 V, 0.1 $\Omega$	1.5 + 0.1	0.5 + 0.1	2 + 0.2
	2.00000 A	< 0.8 V, 0.1 $\Omega$	1.5 + 0.1	0.5 + 0.1	2 + 0.2

Function	Range	Accuracy input $\pm$ (% of reading + % of range)		
		Frequency (Hz)		
		20 ~ 45	45 ~ 10k	10k ~ 30k
Temperature coefficient	10.0000 mA			
	100.000 mA	0.02 + 0.02	0.02 + 0.02	0.02 + 0.02
	1.00000 A			
	2.00000 A			

NOTE: To ensure better measurement results and to guard against the change of environment or setup, always enable the Null offset.

- Specifications are based on 30 minutes warm-up time and calibration temperature within 18°C to 28°C. In manual range, the settling time is 6 seconds while in autorange, the first measurement accuracy is < 1%.
- Specifications are for sine wave inputs more than 5% of range. 120% over range on all ranges except 250 VAC. Maximum crest factor of 5 at full scale. Input impedance is 1 M $\Omega$  in parallel with capacitance less than 120 pF, AC couple with up to 300 VDC.
- Additional error to be added as frequency more than 30 kHz and signal input less than 10% of range. 30 kHz to 100 kHz: add 0.003% of range per kHz.
- Input signal has to be more than 50 Vrms.
- Input protected with externally accessible 2 A, 250 V fast blown fuse.

## Frequency specifications<sup>1</sup>

### Frequency accuracy

Function	Range	Accuracy (% of reading + % of range)	Minimum input frequency	Temperature coefficient (% of range)
Frequency	20 Hz to 300 kHz	0.0200 + 0.003	1 Hz	0.005

### Frequency Sensitivity for AC Voltage

Function	Range	Minimum sensitivity (RMS sine wave) Frequency (Hz)	
		20 ~ 100k	100k ~ 300k
AC voltage	100 mV <sup>2</sup>	20 mV	20 mV
	1 V	100 mV	120 mV
	10 V	1 V	1.2 V
	100 V	10 V	20 V
	250 V	100 V	120 V

## Temperature specifications

### Temperature specifications

Function	Thermistor type	Range	Accuracy	Temperature coefficient
Temperature	5 kΩ thermistor	-80.0°C to 150°C -112°F to 302°F	Probe accuracy + 0.2°C	0.002°C

NOTE: To ensure better measurement results and to guard against the change of environment or setup, always enable the Null offset.

### Typical Reading Speed (in seconds) Characteristics

Test/Range	100 mV(20 Hz)	1V(20 Hz)	10V(20Hz)	100V(45 Hz)	300V(45 Hz)
ACV	0.979	0.979	0.978	0.979	0.979

Test/Range	10 mA	100 mA	1 A	2 A
ACI	0.979	0.979	0.979	0.979

Freq	1.190
------	-------

1. Frequency measurement can only be done in auto range mode. Specifications are for 30 minutes warm-up time, using one second aperture.
2. Measuring method is using reciprocal counting technique with AC coupled input at AC voltage function. Gate time of 0.1 second or 1 second.
3. Only applicable for square wave measurement.

Test	Range/NPLC	20	10	2	1	0.025	0
DCV	100 mV	0.413	0.213	0.053	0.033	0.016	0.016
	1 V	0.414	0.213	0.053	0.033	0.016	0.016
	10 V	0.413	0.213	0.053	0.033	0.016	0.016
	100 V	0.414	0.214	0.053	0.033	0.016	0.016
	300 V	0.413	0.213	0.053	0.033	0.016	0.016
DCI	10 mA	0.413	0.214	0.053	0.033	0.016	0.016
	100 mA	0.393	0.213	0.053	0.033	0.016	0.016
	1 A	0.414	0.213	0.053	0.033	0.016	0.016
	2 A	0.413	0.213	0.053	0.033	0.016	0.016
2W	100 $\Omega$	0.414	0.214	0.053	0.033	0.016	0.016
	1 k $\Omega$	0.414	0.213	0.053	0.033	0.016	0.016
	10 k $\Omega$	0.413	0.214	0.054	0.033	0.016	0.016
	100 k $\Omega$	0.413	0.213	0.053	0.033	0.016	0.016
	1 M $\Omega$	0.413	0.213	0.053	0.033	0.016	0.016
	10 M $\Omega$	0.413	0.213	0.053	0.033	0.016	0.016
	100 M $\Omega$	0.413	0.214	0.053	0.033	0.016	0.016
4W	100 $\Omega$	0.863	0.461	0.141	0.102	0.063	0.062
	1 k $\Omega$	0.830	0.431	0.110	0.069	0.030	0.030
	10 k $\Omega$	0.829	0.430	0.110	0.069	0.030	0.030
	100 k $\Omega$	0.830	0.430	0.110	0.069	0.030	0.030
	1 M $\Omega$	0.831	0.431	0.110	0.070	0.030	0.030
	10 M $\Omega$	0.986	0.585	0.265	0.225	0.186	0.185
	100 M $\Omega$	0.986	0.585	0.265	0.225	0.186	0.186

## Test Conditions of PC and USB DMM Module

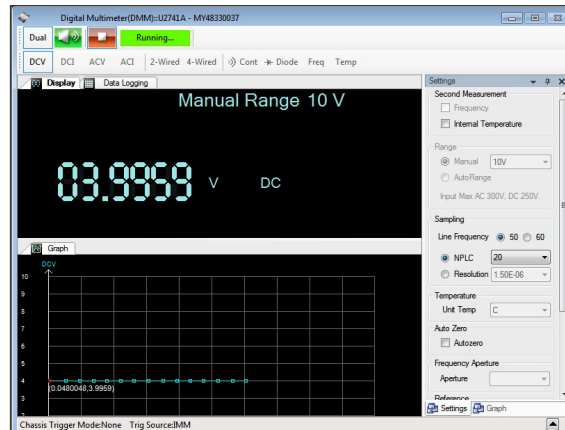
- Processor: Intel Core 2 Duo Processor E8400 3.00 GHz, 6 MB L2 cache, 1333 MHz FSB
- Memory : 2GB DDR2
- Hard Disk Drive (HDD): 160GB
- Microsoft Windows XP
- Professional Version 2002, Service Pack 2.
- The module is loaded with FW revision 1.12 and running with KMM version is 1.8.7.0

## Keysight Measurement Manager

The Keysight Measurement Manager (KMM) is an application data viewer software that comes with the standard purchase of the U2700A Series USB modular instruments. This software is designed to help you perform quick device configuration, data logging and data acquisition with the modular instruments.

Supported features found in the U2741A USB Modular Digital Multimeter:

- Command Logger and Code Converter
- Self-calibration
- Option to save the current instrument configuration to a file
- Data logging and export feature to CSV, HTML and text only format files that can be printed
- Trigger settings between modules in the instrument chassis with Star trigger and Master/Slave trigger



Prior to installing the Keysight Measurement Manager software, ensure that your PC meets the following minimum system requirements for installation and operation.

Requirement	Windows XP operating systems	Windows Vista operating systems	Windows 7 operating systems
Operating system	Windows XP Service Pack 3 (or later) <sup>1</sup>	Windows Vista (32-bit) Service Pack 1 and 2 <sup>2</sup>	Windows 7 (32-bit and 64-bit) <sup>3,4</sup>
Processor speed	600 MHz or higher required, 800 MHz recommended	1 GHz 32-bit (x86)	3 GHz 32-bit (x86)
Memory	256 MB minimum (1 GB or greater recommended)	1 GB minimum	2 GB minimum
Hard-disk space	1.5 GB minimum	1.5 GB minimum	1.5 GB minimum
Video	Super VGA (800 × 600) 256 colors or more	Support for DirectX 9 graphics with 128 MB graphics memory recommended <sup>5</sup>	Support for DirectX 9 graphics with 128 MB graphics memory recommended <sup>5</sup>
CD-ROM drive or DVD-ROM drive <sup>6</sup>	Required	Required	Required
Browser	Microsoft Internet Explorer 5.01 or greater	Microsoft Internet Explorer 7 or greater	Microsoft Internet Explorer 7 or greater

1. Supported Windows XP editions – Home or Professional
2. Supported Windows Vista (32-bit) editions – Home Basic, Home Premium, Business, or Ultimate
3. Supported Windows 7 (32-bit and 64-bit) editions – Home Basic, Home Premium, Professional, Enterprise, or Ultimate
4. Keysight Measurement Manager for Windows 7 64-bit support is a 32-bit application running on a WOW64 (Windows-on-Windows 64-bit) emulator.
5. Super VGA graphics is supported for Windows Vista and Windows 7.
6. The type of media provided with the product determines whether a CD-ROM drive or DVD-ROM drive is required.

### Software requirements

Keysight IO Libraries Suite 15.1 and above <sup>1</sup>

Keysight T&M Toolkit Runtime version 2.1 <sup>2</sup>

Keysight T&M Toolkit Redistributable Package 2.1 patch <sup>2</sup>

Microsoft .NET Framework version 2.0 <sup>2</sup>

1. Available on the Keysight Automation-Ready CD-ROM
2. Bundled with Keysight Measurement Manager software application installer



## Command logger

The Command Logger function allows users to log SCPI or IVI-COM command sequences used to control your Keysight USB modular product. The function also captures the time each command is executed. Review the configuration commands at your own pace, or convert the commands to other programming languages with the KMM's Code Converter.

Date	Time	Device	Type	Command	Remarks
Friday, March 21...	4:37:54 PM	USB0::2391::437...	Scpi	ACQ:SRAT 10000	Set the sampling rate of analog input.
Friday, March 21...	4:37:54 PM	USB0::2391::437...	Scpi	WAV:POIN 10000	Set the number of acquisition points for AI continuous acquisition.
Friday, March 21...	4:38:08 PM	USB0::2391::437...	Scpi	WAV:POIN 10000	Set the number of acquisition points for AI continuous acquisition.
Friday, March 21...	4:38:08 PM	USB0::2391::437...	Scpi	ROUT-SCAN (@101,102,103)	Set the acquisition sequence specified in the channel list.
Friday, March 21...	4:38:08 PM	USB0::2391::437...	Scpi	RUN	Start the continuous data acquisition.
Friday, March 21...	4:38:09 PM	USB0::2391::437...	Scpi	STOP	Stop the asynchronous analog input operation.

## Code converter

KMM Code Converter comes with two converters: the Keysight VEE Code Converter, and the Microsoft C#/C++/VB Code Converter, allowing you to convert logged SCPI/IVI-COM commands to snippets of VEE Pro, Visual Basic, C++ and C# codes. You can now convert SCPI commands without needing advanced programming skills, helping you program with ease and allowing you to integrate your programs seamlessly for automated tests.

**Convert Command**

Select software language:

- VEE 8.5
- Microsoft Visual Basic 2005
- Microsoft Visual C# 2005
- Microsoft Visual C++ 2005

OK Cancel

**Code Converter**

Open Command File

Filetype:

```

<?xml version="1.0" ?>
<!-- This is a file
generated by AMM. Manual modification may corrupt the
- <CommandLog
  xmlns:xsi="http://www.w3.org/2001/XMLSchema-
instance"
  xmlns="urn:SeriesU2xxx.Common.CommandLogge
">
  <FileVersion>1.0.1.0</FileVersion>
  <AppVersion>1.8.3.0</AppVersion>
  - <Device>
    <Name>Device1</Name>
    <VisaAddress>USB0::2391::16664::MY48240050::0::INS
    - <DeviceDetails>
      - <ScpiDetails>
        <CommandType>Scpi</CommandType>
        <ScpiDetails>
        </DeviceDetails>
      </Device>
    - <CommandList>
      - <Command Device="Device1">
        - <Details Date="2009-04-16" Time="14:02:43"
          Remarks="Measure voltage." Type="None">
          - <Method Operation="Query"
          
```

## USB Modular Digital Multimeter App within BenchVue

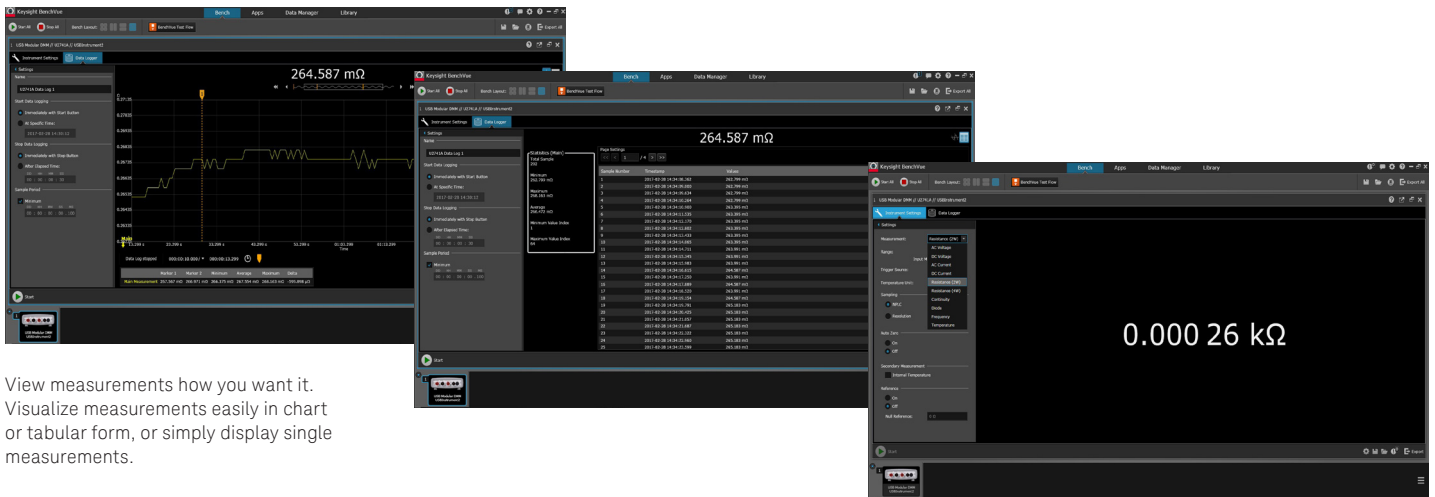
BenchVue software for the PC makes it simple to connect, control, capture and view multiple Keysight instruments simultaneously with no additional programming. You can derive answers faster than ever by easily viewing, logging and exporting measurement data and screen images with a few clicks from a single environment.

- Visualize multiple measurements simultaneously
- Easily log data, screen shots and system state
- Rapidly prototype custom test sequences
- Recall past states of your USB Modular to replicate results
- Export measurement data in the desired format fast
- Quickly access manuals, drivers, FAQs and videos

The USB Modular Digital Multimeter App within BenchVue allows you to quickly configure and control the U2741A DMM to visualize measurements, perform data logging and annotate captured data. With BenchVue, you can display single measurement, charts or tables, from either a single U2741A DMM or multiple U2741A DMMs simultaneously to correlate trends you might otherwise miss. In just a few clicks, you can also record measurements and export results to popular PC-friendly applications such as Microsoft Excel and Microsoft Word for further analysis. Upgrading to the Pro version (BV0021A) will provide you with unrestricted data logging with limit checking and alerts.



View measurements across USB DAQ, modular and bench instruments all on one BenchVue interface



View measurements how you want it. Visualize measurements easily in chart or tabular form, or simply display single measurements.

## Ordering Information

Model	Description
U2741A	USB modular digital multimeter

## Optional accessories

Model	Description
34138A	Test lead set
E2308A	Thermistor temperature probe
U2921A-101	USB secure cable 2 m

## Other products in the Keysight USB Modular Test Instruments Family



### U2701A/U2702A USB Modular Oscilloscope

#### Features:

- High sampling rate up to 500 MSa/s, enabling accurate measurement analysis
- Up to 32 MB large memory
- Fast Fourier transfer (FFT) and waveform math functions enables easy waveform



### U2722A/U2723A USB modular source measure unit

#### Features:

- Three-channel SMU with four-quadrant source/measure operation
- High measurement sensitivity of 100 pA with 16-bit resolution for all voltage and current ranges
- 0.1% basic accuracy
- Embedded test scripts (for U2723A)



### U2751A USB modular switch matrix

#### Features:

- Minimal cross-talk of -30 dB at 45 MHz wide bandwidth
- High bandwidth at 45 MHz without terminal block
- Capability to test up to four devices-under-test (DUTs)
- Works with other Keysight instruments for multi-point testing



### U2761A USB modular function/arbitrary waveform generator

#### Features:

- Direct digital synthesis (DDS) waveform generator
- Pulse generator that can generate pulse signal as stimulus
- Easy customization with Arbitrary Waveform Editor
- Internal modulation capability simplifies test setup



### U2781A USB modular product chassis

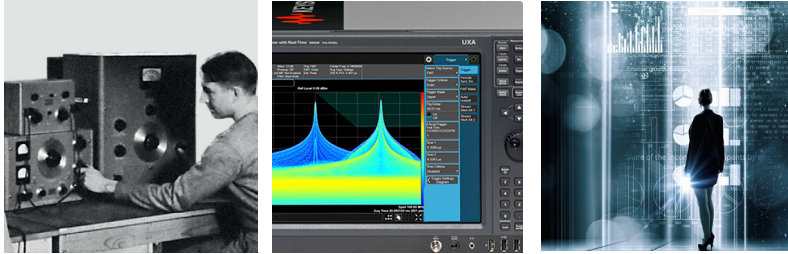
#### Features:

- Expansion of channels for each modular product
- Multiple instrument synchronization
- Internal and external 10 MHz reference clock
- High-speed USB 2.0
- SSI/Star trigger bus synchronization between external trigger source and modules

## Evolving Since 1939

Our unique combination of hardware, software, services, and people can help you reach your next breakthrough. We are unlocking the future of technology.

From Hewlett-Packard to Agilent to Keysight.



myKeysight

**KEYSIGHT SERVICES**  
*Accelerate Technology Adoption.*  
*Lower costs.*



DEKRA Certified  
ISO9001 Quality Management System