

GENERAL[®]

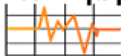
UV512C

USER'S MANUAL

Digital UVC Light Meter



**Test Equipment
Depot**



1-800-517-8431

99 Washington Street
Melrose, MA 02176
Phone 781-665-1400
Toll Free 1-800-517-8431



Visit us at www.TestEquipmentDepot.com

STORAGE FOR SENSOR

The UV sensor is an extremely precise detection instrument. When not in use, store it in a dry environment.

Please keep the manual for future reference.

DANGER WHEN USING THE EQUIPMENT

ATTENTION



Improper use may endanger the health of third parties! It may also result in damage to the equipment or other material damage.

FEATURES:

The UV-Meter is a mobile, hand-held device for measuring UV irradiation.

- Socket for tripod mounting
- High and Low measurements range in a unit mW/cm^2 or $\mu W/cm^2$
- Backlit LCD and 4 Digits dual display
- 20 points memory
- Low battery indication
- Operation with "9V" battery
- Magnetic mount

SAFETY SYMBOLS



Indicates CE conformity

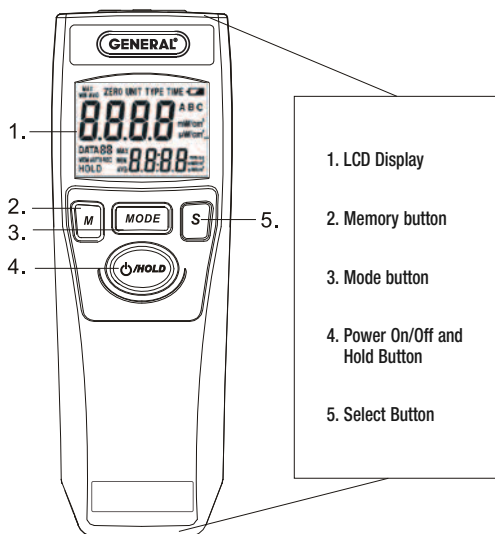


The device may not be disposed of with the trash. It promotes re-use recycling and other forms of recovery of used materials and components, and improves the environmental performance of all operators (manufacturers, traders and treatment facilities) involved in the life cycle of products. Dispose of the product appropriately in accordance with the regulations in force in your Country.

SPECIFICATIONS:

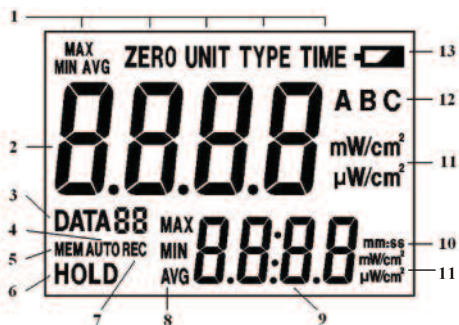
Range	Indication ' -HI- '
Zero Adjust	Yes
Auto Record	Yes
Sample Time	Approx. 0.3 sec
Display	Backlit LCD and Dual Display
Memory	20 points and 1 for interval time
Operation Temperature	32° to 122°F (0° to 50°C), 10 to 90% RH
Battery Source	"9V"
Weight	Approx. 3.2 (90g) without battery and detector
Dimensions	5.51 x 1.93 x 1.14" (140 x 49 x 29mm)

CONTROL PANEL



1. LCD Display
2. Memory button
3. Mode button
4. Power On/Off and Hold Button
5. Select Button

LCD DISPLAY



- | | | |
|-------------------|---------------------|----------------|
| 1 Main Functions | 6 Data Hold | 11 Unit |
| 2 Primary Reading | 7 Record | 12 UV Type |
| 3 Data Log | 8 MIN/MAX/AVG | 13 Low Battery |
| 4 Auto Mode | 9 Secondary Reading | |
| 5 Memory Review | 10 Time Unit | |

OPERATIONS OF INSTRUMENT

POWER ON

Press ⏻/Hold button and hold for 2 seconds. Release the ⏻/Hold button after power on. All symbols of LCD will appear for 1 second.

POWER OFF

Press ⏻/Hold button and hold for 2 seconds. All symbols of LCD will appear and shut down after releasing ⏻/Hold button.

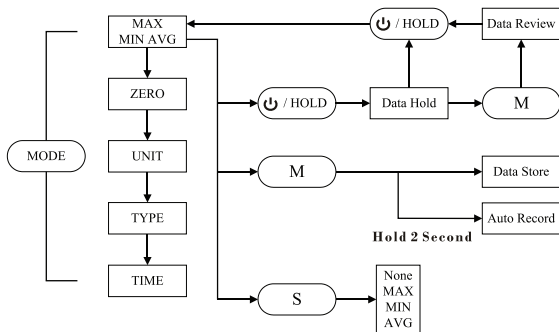
MEASUREMENT VALUE

The primary reading always displays the value of measuring. The secondary reading displays the outcomes of the advanced functions or data recording.

MAIN FUNCTION

Press Mode button to choose the main functions (MIN/MAX/AVG) has several extended programs as indicated in the diagram, please read the following descriptions to know how to press S , ⏻/Hold or M buttons to move to next level!

MAIN FUNCTION DIAGRAM



MAX MIN
AVG

MAX/MIN/AVG MEASURING FUNCTION

There are 4 modes of the measuring function. Press the S button to change the mode of measuring:

None \rightarrow Max \rightarrow Min \rightarrow Avg.



DATA HOLD

Press the ⏻/Hold button, the value at Secondary Display will be held and the LCD will show the HOLD symbol. To cancel the hold mode, press the button again.

Data Review

Press the **[M]** button during the hold mode, it will get into the data memory review mode. The LCD will show **[MEM]** symbol.

Press the **[S]** button to review data 0 to 20. Data 0 is always at stored the interval time after auto recording activated. If the data are automatically recorded, the **[AUTO]** symbol appears next to **[MEM]** during the review.

DATA STORE

Normal

Press the **[M]** button to store the current measurement displayed at Primary Display. The flashing DATA(01~20) icon becomes steady for 2 seconds, and moves to next storage location.

Auto

If automatically recording is required, press the **[M]** button and hold for 2 seconds. The LCD will show **[AUTO]** symbol next to **[REC]** symbol. As show **[AUTO]** symbol next to **[REC]** symbol. As soon as it reaches 20 data, the system will turn off.

The following record contents will be stored:

1. Irradiation intensity
2. Maximum, Minimum, Average or none
3. Unit

To cancel auto record mode, press the **[M]** button again.

ZERO

Zero Adjust

Cover the sensor and press the **[S]** button to zero adjust. The Secondary Display will display adjust value*. Press the **[S]** button again and hold for 1 second to clear the adjust value.

**When the adjust value is over the range. The Secondary display will display "-Err". Please follow the zero adjust step and do it again.*

Memory Clear

In Zero Mode, press the **[M]** button to clear data 0 to 20.

UNIT

Unit Function

Press the **[S]** button to change the unit, μ 2W cm/ or 2mW/cm

TIME

Time Function


Press the **[S]** button to set the interval time of auto recording.

This function allows you to set 9 different time intervals by pressing the **[S]** button.

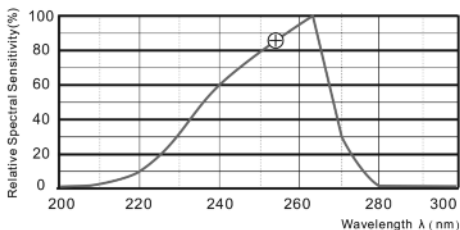
The 9 time intervals are: 1, 2, 5, 10, 30 second or 1, 3, 5, 10 minutes.

MAINTENANCE

Clean the housing: Use soap and water on a damp sponge or soft cloth. Care should be taken to prevent any liquids or moisture from getting inside the unit.

When the battery is low, the battery symbol will be displayed. 

UVC SENSOR



Specification

Sensor designation	UVC
Spectrum range	220~275nm
Calibration point ⊕	254nm
Temperature range	0° ~50°C
Accuracy(23±5°C)	±4% ±1 digit
Units/multi-ranges	
Low illumination	1 μW/cm ² ~9999 μW/cm ²
High illumination	0.01 mW/cm ² ~40.00 mW/cm ²

Note: Press "Mode" key to enter Unit selection mode

Surface sensor

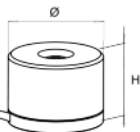


ATTENTION

The sensors are only suitable for short term measurement in a splash-proof environment, as otherwise premature aging and thermal destruction of the sensor will occur. The housing temperature must never exceed 50°C!

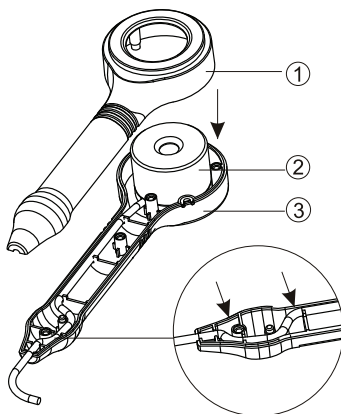
Dimensions

∅ = 35mm H = 25.5mm

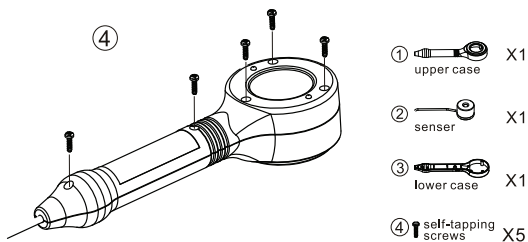


Extendable Wand

(A)



(B)



Note:

It is recommended not to assemble and disassemble the wand too many times to avoid wearing out the screw holes.



Specialty Tools & Instruments



99 Washington Street
Melrose, MA 02176
Phone 781-665-1400
Toll Free 1-800-517-8431



Visit us at www.TestEquipmentDepot.com

Specifications subject to change without notice

©2014 GENERAL TOOLS & INSTRUMENTS

NOTICE - WE ARE NOT RESPONSIBLE FOR TYPOGRAPHICAL ERRORS.

MAN# UV512C

1/25/14