

# OPTA

# PRACTICAL | ECONOMICAL | SIMPLE

OPTA is a high-quality stereo microscope designed to enhance operator performance in various magnification tasks. It offers exceptional value, ensuring efficiency and effectiveness without compromising on excellence. It's suitable for a broad range of industries and applications, including electronics, precision engineering, education and training, plastics and rubber, and dental laboratories.

OPTA's innovative eyepiece-less design delivers an unrivaled 3D stereo view, allowing you to examine objects from multiple angles with unmatched clarity and precision.

### The Ergonomics of Eyepiece-less Design

- **Perfect Stereo View with Depth Perception:** Experience precision and depth in inspections, enhancing accuracy and efficiency.
- **Effortless Setup and User-Friendly Interface:** Quick setup and intuitive controls allows seamless transitions between users, saving valuable time and resource.
- **Improved Hand-to-Eye Coordination:** Enhance task execution with better coordination, leading to more accurate results and increased productivity.
- **Combat Fatigue for Sustained Focus:** Reduce eye strain and fatigue with OPTA's ergonomic design, enabling sustained focus over time and minimizing errors.
- **Comfortable and Adaptable Design:** Stay comfortable during extended use with OPTA's ergonomic features allowing you to work with safety or corrective glasses.

### Efficiency Meets Precision in Every Detail

- Spot intricate details and defects swiftly with incredible clarity.
- Stay focused for extended periods, improving productivity.
- Effortlessly handle even the tiniest subjects with ease and precision.



Investing in ergonomics with OPTA is a key to long-term business success. Studies consistently show that ergonomic improvements in work environments lead to reduced costs and increased productivity.

## Optical Data

Objective lens	Working distance	Field of view
4x	96mm (3.78")	27.5mm (1.08")
6x	73mm (2.87")	19.2mm (0.76")


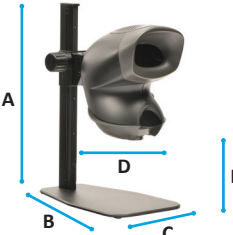
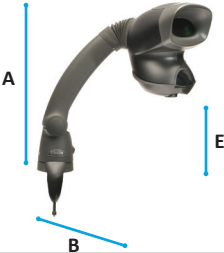
## Illumination Data

Source	Brightness	Color Temperature	Life
Light intensity measured at subject plane with color correction filters			
20 LEDs	9,400 LUX	~7000k	Up to 10,000 hours

## Part Numbers

Part number	Magnification	Stand
MOS001	OPTA + X4 objective	crecscnt base track stand kit
MOS002	OPTA + X6 objective	crecscnt base track stand kit
MOS003	OPTA + X4 objective	square base track stand kit
MOS004	OPTA + X6 objective	square base track stand kit
MOS005	OPTA + X4 objective	universal stand kit
MOS006	OPTA + X6 objective	universal stand kit

## Stand Options

	Crescent stand	Square stand	Universal arm
			
Maximum Dimensions	Offers open space clear for working and easy to clean	Tough metal base for working on, low profile base for user comfort	Versatile 'lift and lower' universal stand enables easy swinging in and out of position when needed
<b>A</b> Workbench to top of head	533mm (20.98")	533mm (20.98")	605mm (23.82")
<b>B</b> Length	250mm (9.84")	406mm (15.98")	454mm (17.87")
<b>C</b> Width	500mm (19.69")	250mm (9.84")	-
<b>D</b> Throat, optical axis to column	240mm (9.45")	240mm (9.45")	-
<b>E</b> Work surface to bottom of head	297mm (11.69")	285mm (11.22")	320mm (12.60")
Base height	-	12mm (0.47")	-



Efficiency Gains



Ergonomic



Glasses free



Hand-Eye Coordination



Long Working Distance



3D View

**Vision**  
ENGINEERING