

SETTING THE HI/LO ALARM

1. Press the MODE button until unit is in the ALARM DISPLAY MODE indicated by the display of current temperature and HI and LO alarm settings.
2. To set the HIGH temperature alarm limit press the HI button, to advance the display in 1° increments, until the desired high temperature is displayed. Press and hold the HI button to rapidly advance the display in 5° increments.
3. To set the LOW temperature alarm limit press the LO button, to advance the display in 1° increments, until the desired low temperature is displayed. Press and hold the LO button to rapidly advance the display in 5° increments.

ALARM

The unit will sound the alarm in both MIN/MAX DISPLAY MODE and ALARM (HI/LO) DISPLAY MODE.

Slide the ALARM ON/OFF switch to ON. When the current temperature display rises above the HI set point, or falls below the LO set point, the alarm will sound for 1 minute and issue a 3 second repeater beep every minute thereafter, for up to 12 hours. The alarm will continue to sound even if the current temperature display returns to an "in range" condition.

To temporarily silence the alarm press either the HI or LO button the back of the unit. The unit is still active and the alarm will sound again if the temperature goes out of range. To permanently silence the alarm slide the ALARM ON/OFF switch to OFF position.

BENCH STAND

The unit is supplied with a bench stand that is a part of the battery cover. To use the bench stand, locate the small rectangular opening at the bottom of the unit. Place your fingernail into the opening and flip the stand up. To close the stand, simply snap it shut.

WALL MOUNTING THE UNIT

Set a screw into the wall at the desired location. Do not set the screw flush to the wall, the head of the screw will need to slip into the receptacle on the back of the unit. Once the screw has been properly set, hang the unit in place by sliding the receptacle on the back of the unit over the head of the screw.

ALL OPERATIONAL DIFFICULTIES

If this thermometer does not function properly for any reason, please replace the battery with a new high-quality battery (see "Battery Replacement" section). Low battery power can occasionally cause any number of "apparent" operational difficulties. Replacing the battery with a new fresh battery will solve most difficulties. If the voltage of the battery becomes low °C and °F symbols will flash.

BATTERY REPLACEMENT

Erratic readings, a faint display, or no display are all indications that the battery must be replaced. Slide the battery cover toward the end of the unit. Remove the exhausted battery and replace with an AA alkaline battery (Cat. No. 1111). Replace the battery cover.

WARRANTY, SERVICE, OR RECALIBRATION

For warranty, service, or recalibration, contact:

CONTROL COMPANY

Control Company is ISO 9001 Quality-Certified by DNV and ISO/IEC 17025 (1750.01) accredited as a Calibration Laboratory by A2LA.

Control Company Cat. No. 4048 / 4127 / 4527

Traceable® is a registered trademark of Control Company.

©2016 Control Company. 92-4048-00 Rev. 4 061016

TRACEABLE® MEMORY MONITORING THERMOMETER WITH ALARM INSTRUCTIONS



5 Commonwealth Ave
Woburn, MA 01801

TestEquipmentDepot.com

SPECIFICATIONS

Range: -58 to 158°F / -50 to 70°C

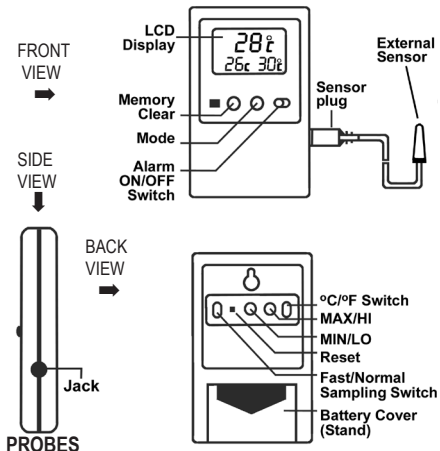
Resolution: 1°

Accuracy: ±1°C

Sampling Rate: Fast 10 seconds or Normal 60 seconds (user selectable)

Features: LCD digital thermometer, internal or external display with maximum/minimum memory display and high/low alarm

Battery: AA Alkaline



MINIMUM AND MAXIMUM TEMPERATURE VALUES ARE NOT PROGRAMMABLE

4048 Model Probe: A detachable probe sensor and ten feet of cable are supplied with the unit.

A wire probe holder is provided for permanently mounting the probe. To mount the probe, place a nail or screw through the hole of the wireholder and secure the holder to a surface.

4127/4527 Model Probe: Probe is sealed in a miniature bottle (4127: 1 x 2½ inches / 4527: 0.6 x 2 inches) filled with a patented nontoxic glycol. Solution is GRAS (generally recognized as safe) by the FDA (Food and Drug Administration). It eliminates concerns about incidental contact with food or drinking water. The solution filled bottle simulates the temperature of other stored liquids.

Velcro® and magnetic strip are supplied to mount the bottle to the inside of a refrigerator/ freezer and to mount the display unit to the outside. Micro-cable permits refrigerator doors to close on it.

NOTE: Plug probe sensor into the jack on the side of the unit. Press RESET button once whenever probe sensor is removed or inserted. Updated ambient or probe temperatures will be displayed.

With probe sensor attached the unit simultaneously displays current probe temperature and probe minimum/maximum temperatures.

DISPLAY MESSAGES

L L appearing on the display indicates that the temperature being measured is below the temperature range of the unit, or that the probe is disconnected or damaged.

H H appearing on the display indicates that the temperature being measured is above the temperature range of the unit.

RESETTING THE UNIT

Use a pointed object to push the RESET button on the back of the unit. It is necessary to reset the unit whenever a change is made to °C/°F temperature, FAST/NORMAL sampling rate, or the probe sensor is plugged in or removed.

NOTE: HI/LO temperature alarm settings and MIN/MAX memories will be cleared after resetting the unit.

OPERATION MODES

The unit has two operating modes: MIN/MAX DISPLAY MODE and ALARM (HI/LO) DISPLAY MODE. To change from one mode to another press the MODE button once.

MIN/MAX DISPLAY MODE - is indicated by the display of current temperature and the MIN (minimum) and MAX (maximum) temperatures. These temperatures relate to external (probe) temperature if the probe is plugged in and to internal (ambient) temperature if the sensor probe is removed.

ALARM (HI/LO) DISPLAY MODE - is indicated by the display of current temperature and the HI and LO alarm settings. These temperatures relate to external (probe) temperature if the probe is plugged in and to internal (ambient) temperature if the sensor probe is removed.

RESETTING MIN/MAX MEMORIES

There are two ways to reset the memories:

1. To reset both minimum and maximum memories - press MEMORY CLEAR button.
2. To reset individual minimum and maximum memories - press either the MIN or MAX button (on back of unit) once to reset the respective memory. The other memory will remain unaffected.

NOTE: You must be in MIN/MAX Display Mode to reset the memories.

DISPLAYING °F OR °C

To display the temperature readings in Fahrenheit (°F) or Celsius (°C) slide the switch on the back of the unit to °F or °C.

NOTE: The unit must be reset after changing the temperature unit.

SELECTING THE SAMPLING RATE

To select normal sampling rate (60 seconds) or fast sampling rate (10 seconds) slide the switch on back of unit to NORMAL or FAST.

NOTE: The unit must be reset after changing the sampling rate. Using the NORMAL sampling rate will extend battery life.