

Well Cap Installation Instructions (WELL-CAP-02)

For use with HOBO® MicroRX Water Level Stations (RX2103 or RX2104)

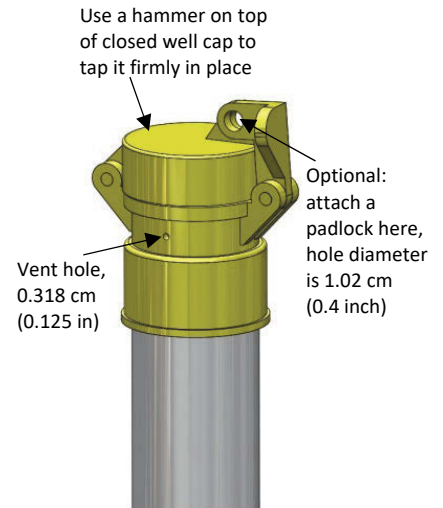
Before you Begin

Follow these instructions *before* deploying the water level sensor for a HOBO MicroRX Water Level Station or in a well. If the sensor has already been installed in a well, remove it before continuing.

Attaching the Well Cap to a Well

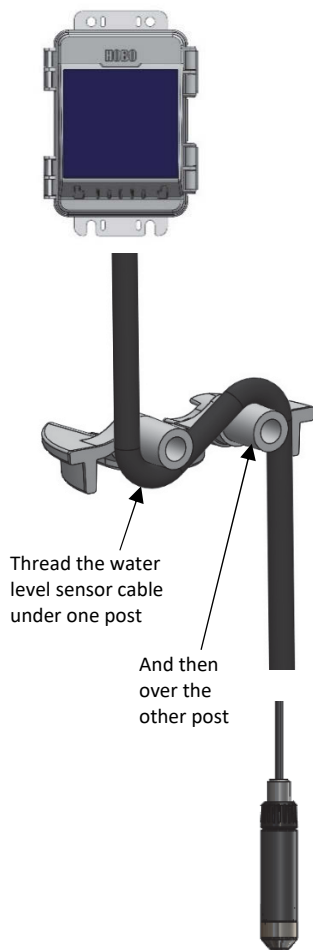
This cap can be installed on a standard 5 cm (2 inch) pipe, metal or PVC, without glue as shown at right. It also fits on most threaded 5 cm (2 inch) pipes. If the cap is too loose once installed on a threaded pipe, add a small piece of connector pipe that has both a threaded end and a smooth end. Attach the threaded end of the connector pipe to the threaded end of the original pipe, leaving the smooth end of the connector pipe at the top to attach the well cap. As an alternative to a connector pipe, you can add duct tape around the threaded portion so that the cap is snug when placed on the pipe.

Place the closed well cap on the end of the well. Use a hammer or mallet to tap the well cap firmly in place. Attach a padlock to the latch if desired.

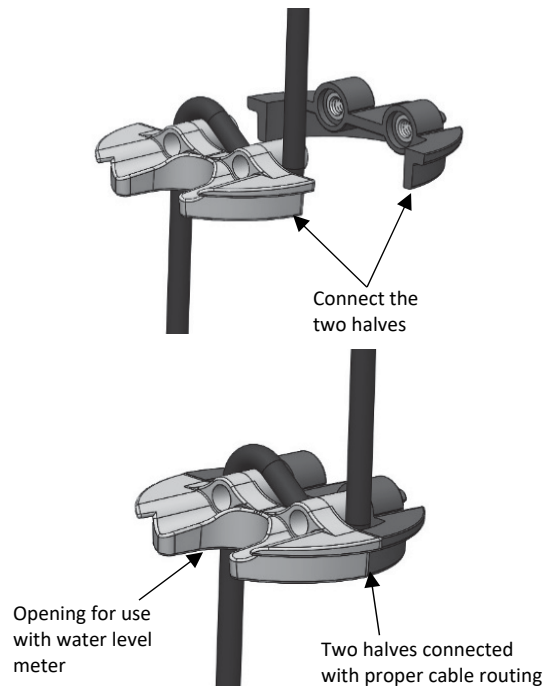


Installing the MicroRX Water Level Sensor

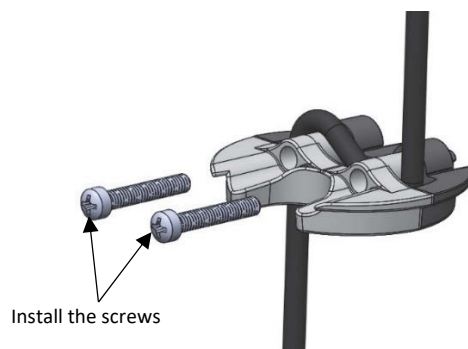
1. Using the half of the disk with posts, thread the water level sensor cable under one post and over the other post as shown below. The station and sensor are shown as reference for proper cable routing around the posts. Adjust the positioning of the cable as necessary to ensure there is enough length to reach the mounted station outside the well while deploying the sensor to the desired depth inside the well.



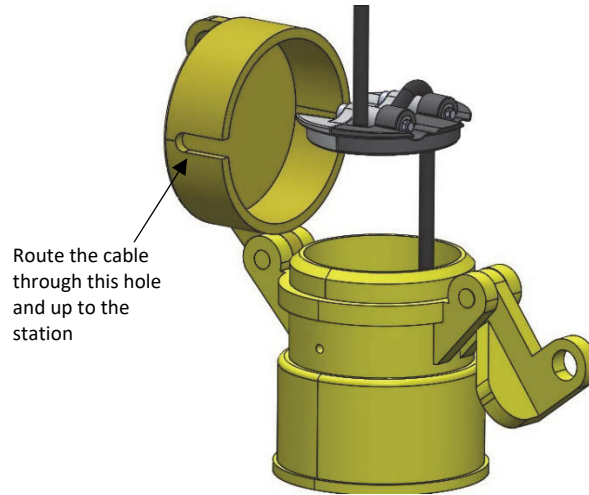
2. Insert the posts (with the cable routed as shown) into the receptacles in the other half, forming one disk when connected.



3. Insert the two screws through the posts and use a Phillips-head screwdriver to screw them into place.



-
4. Place the disk with the sensor attached into the well cap. Route the other end of the cable through the hole on the side of the well cap lid. When the well cap is open, use the opening in the disk (shown in step 2) to take a reference water level measurement with a water level meter while the sensor is in position.



5. Close the well cap. Use a padlock to restrict access to the well if desired.